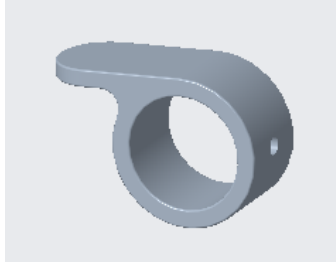


BocaShade Technical Bulletin 6-29-2023

If your BocaShade canvas top has a newer design (no Velcro), please use this technical bulletin during the assembly of your BocaShade.

Parts and Tools Required



Tab Ring



Set Screw M4 x .7mm

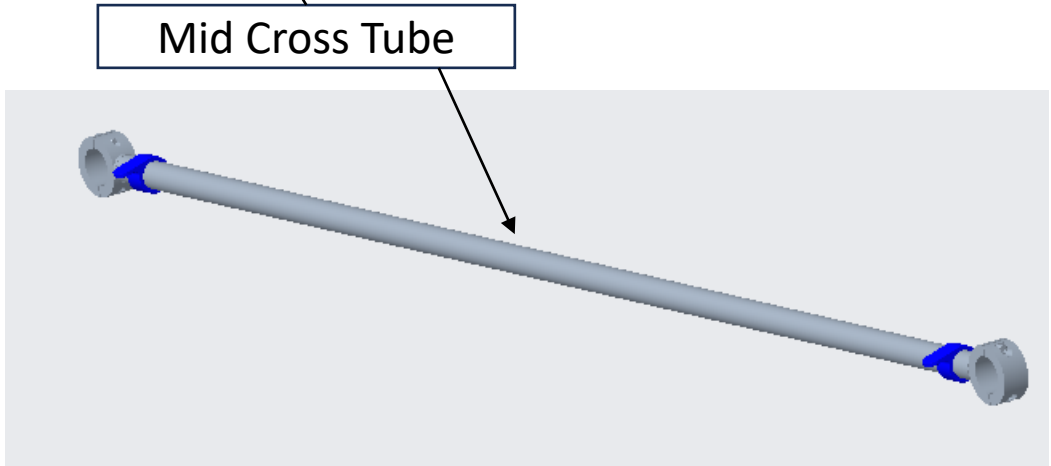
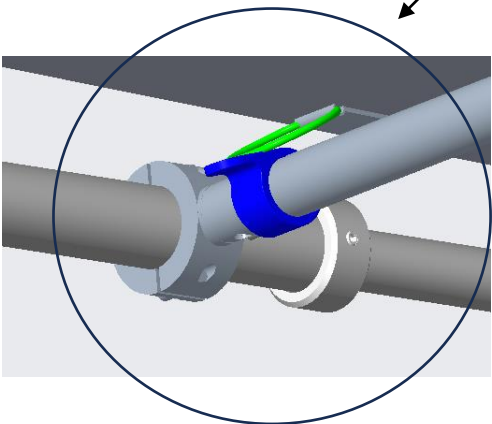
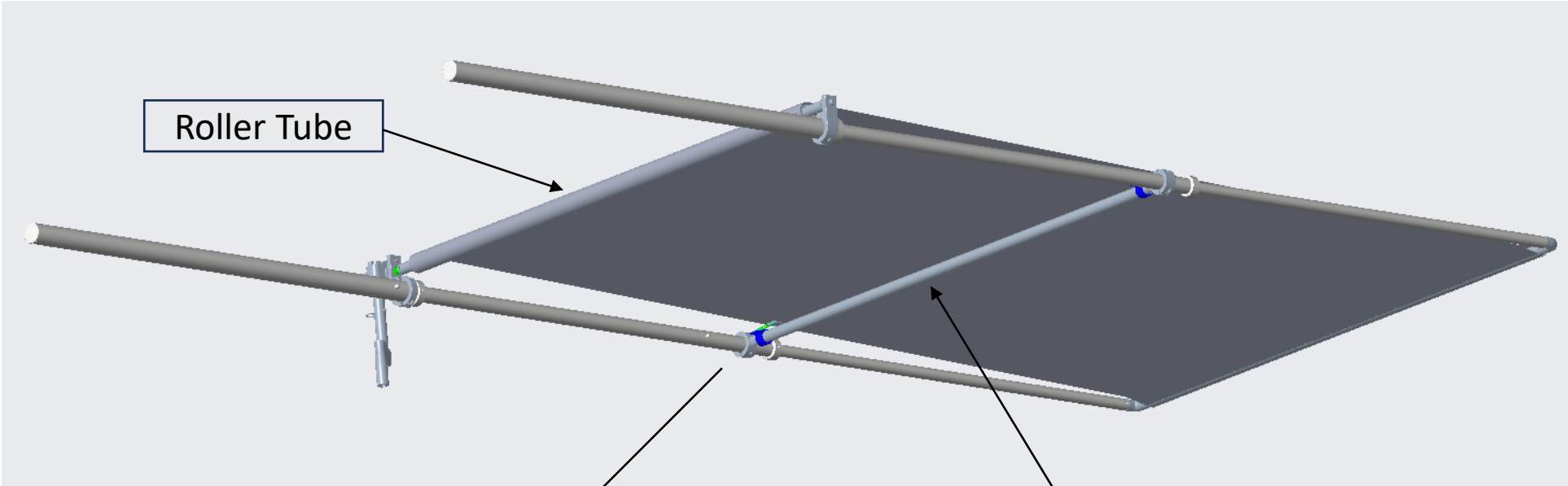


Red Loctite 272



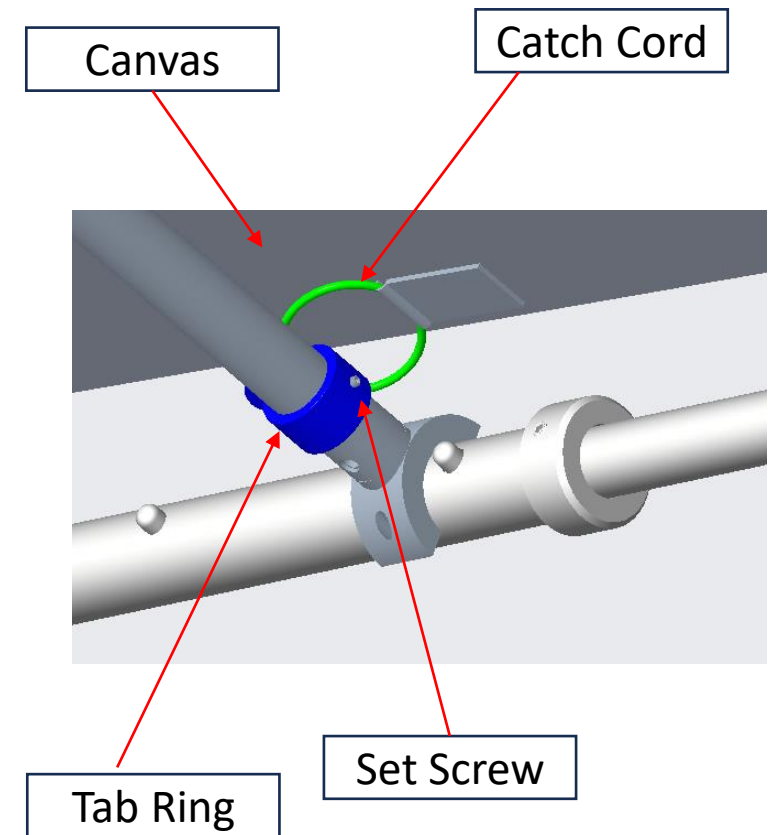
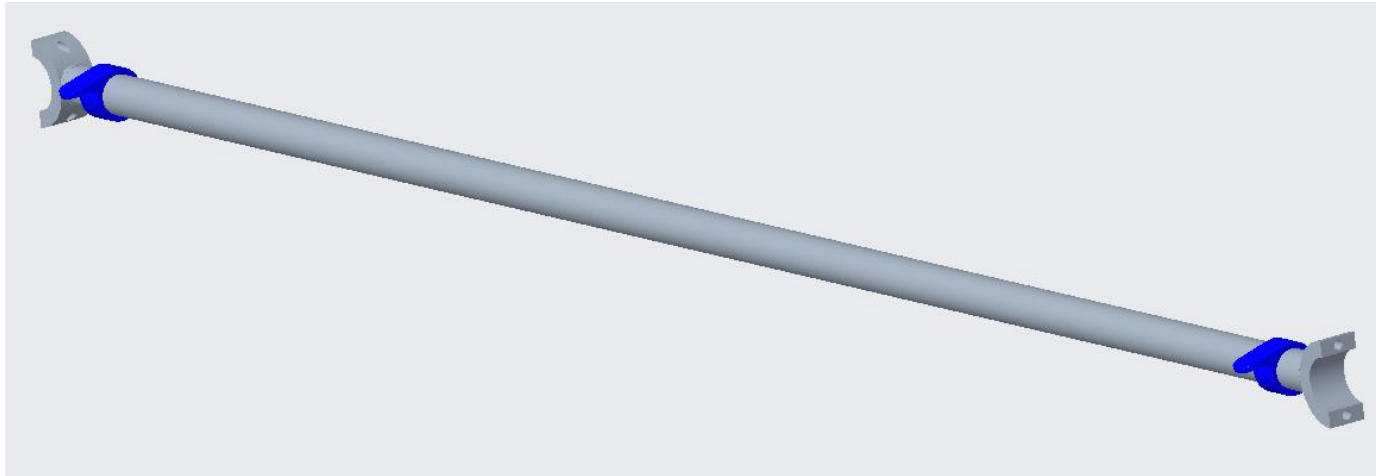
Allen Key 2mm

GENERAL DIAGRAM



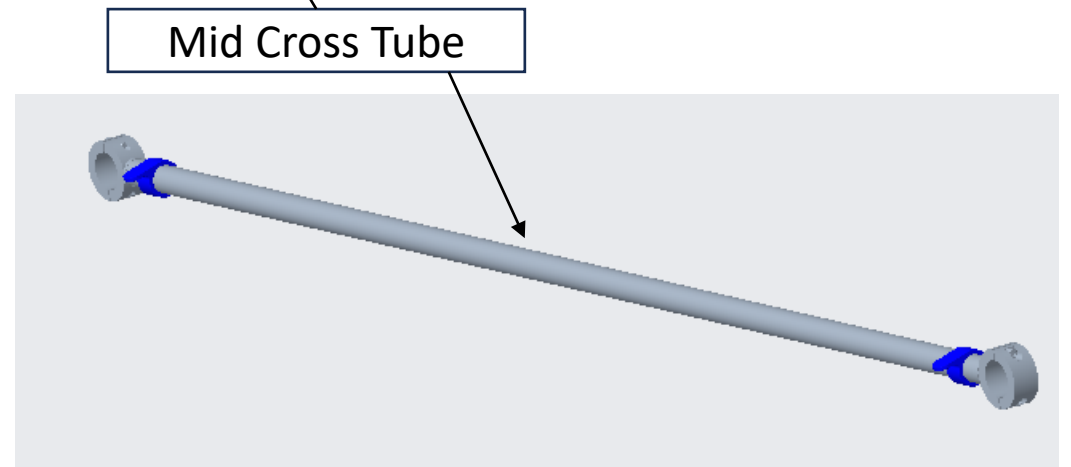
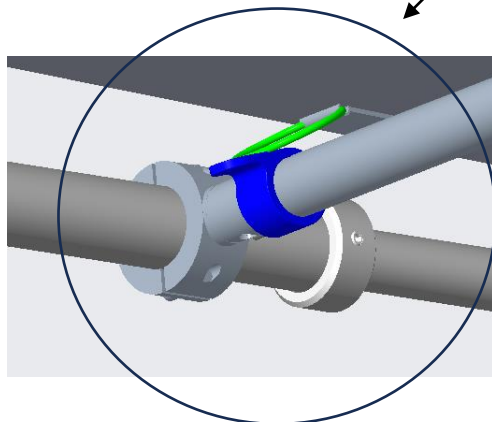
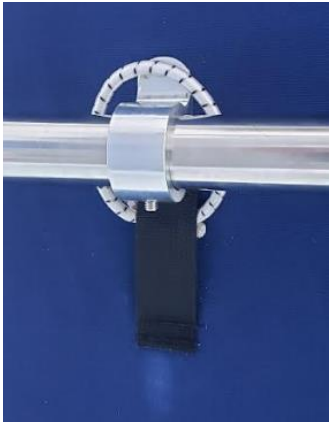
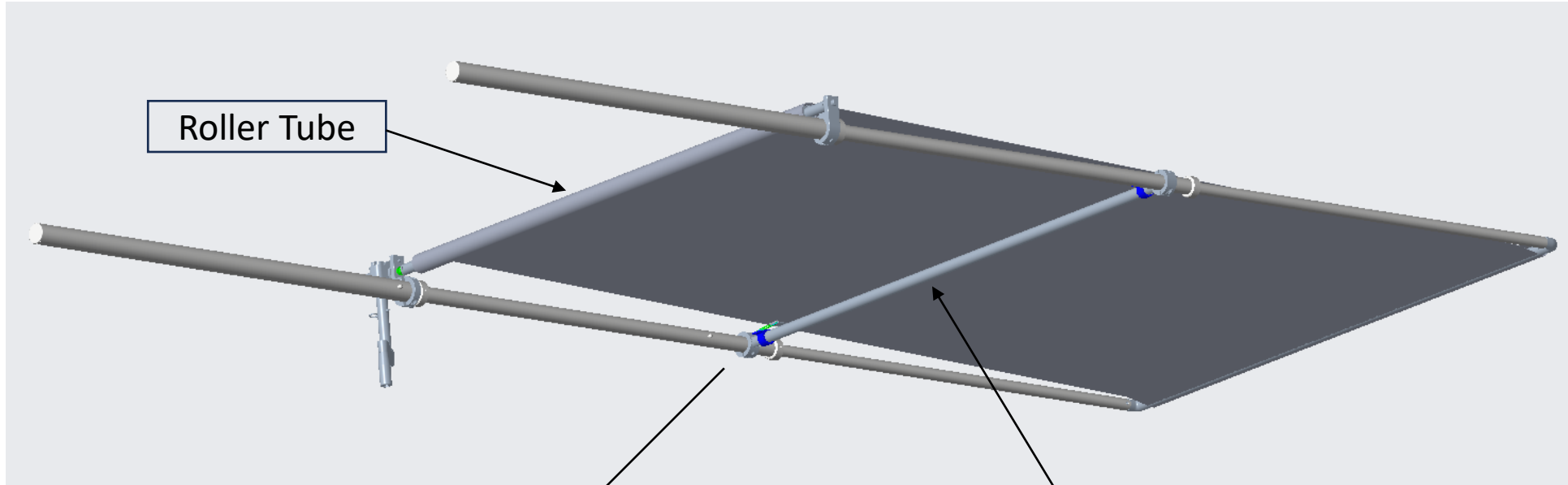
Steps 1:

- Assemble your mid cross tube as shown
- Don't tighten the set screws yet on the tab rings



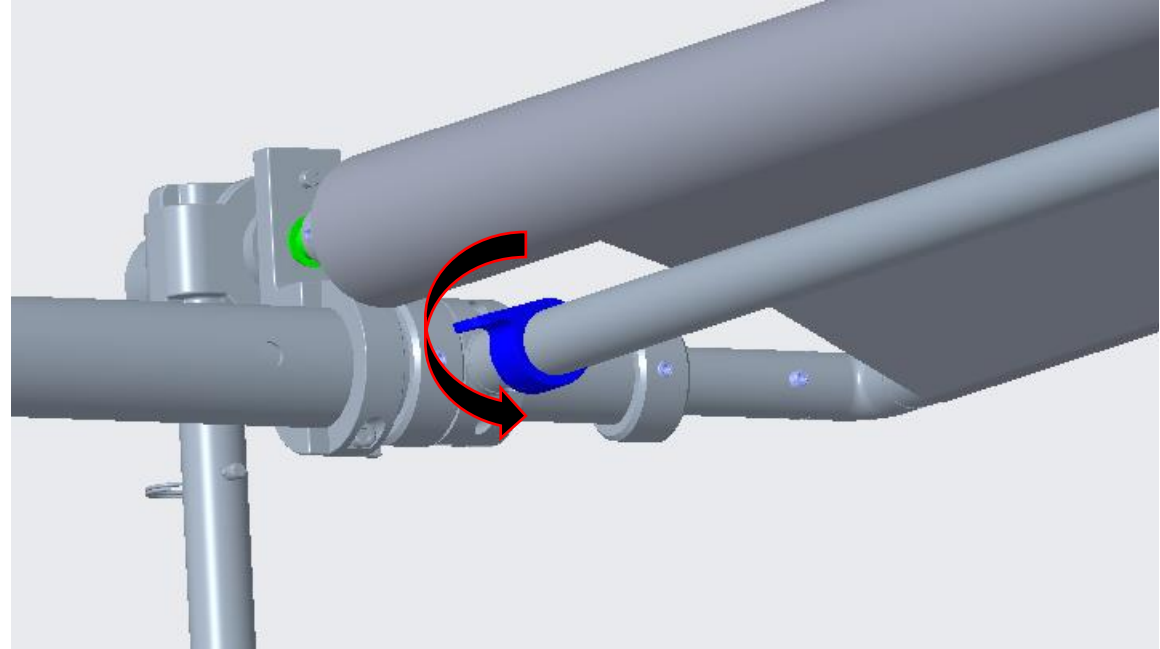
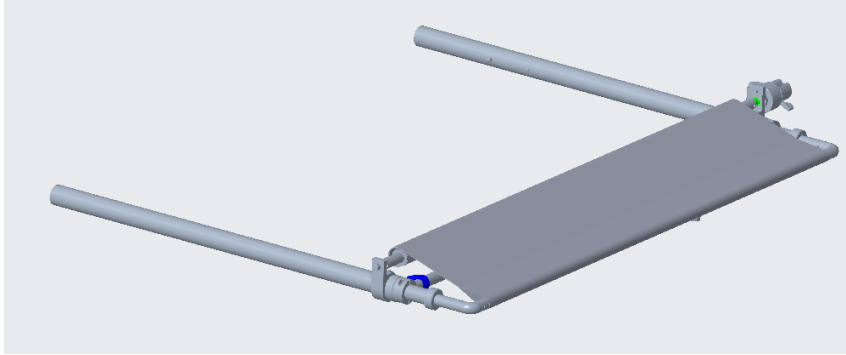
Steps 2:

- Assemble your BocaShade as shown. See the below link
- <https://youtu.be/9dYpSjGKHsw>
- Center the tab rings with the catch cord on your canvas top
- Tab is pointing toward the roller tube

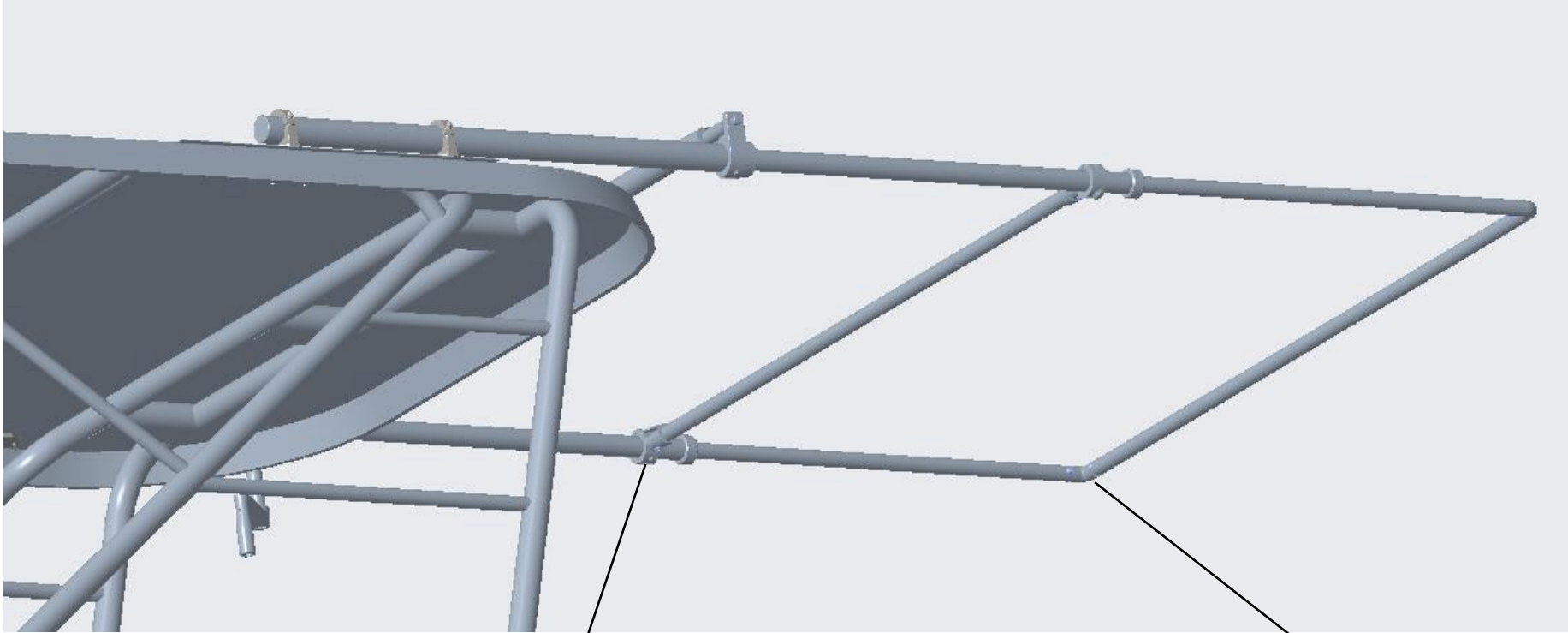


Steps 3:

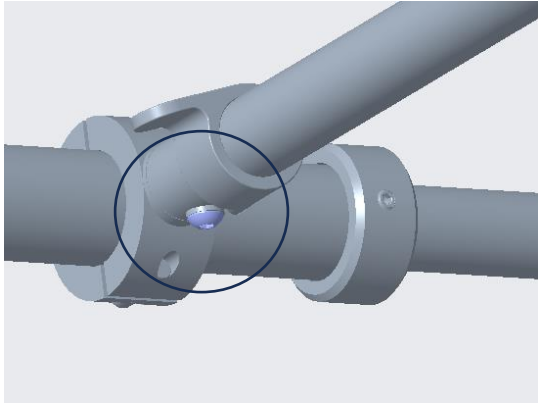
- Retract your shade after it is mounted on your boat top. See the below link on how to retract your shade.
- https://youtu.be/EyHA_9tHjEw
- Rotate the tab rings as needed to prevent interference with the rolled up canvas
- Apply Loctite to the set screw and tighten



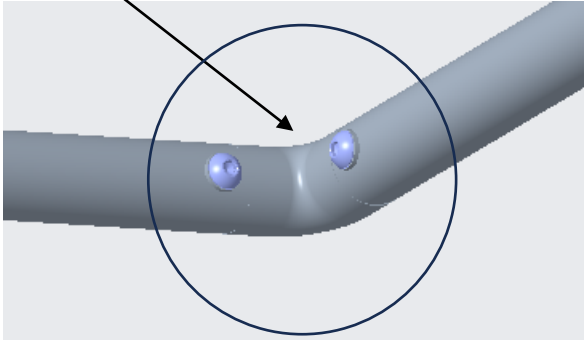
Button Head Socket Cap Screws Replace
Set Screws ALUMINUM SHADE



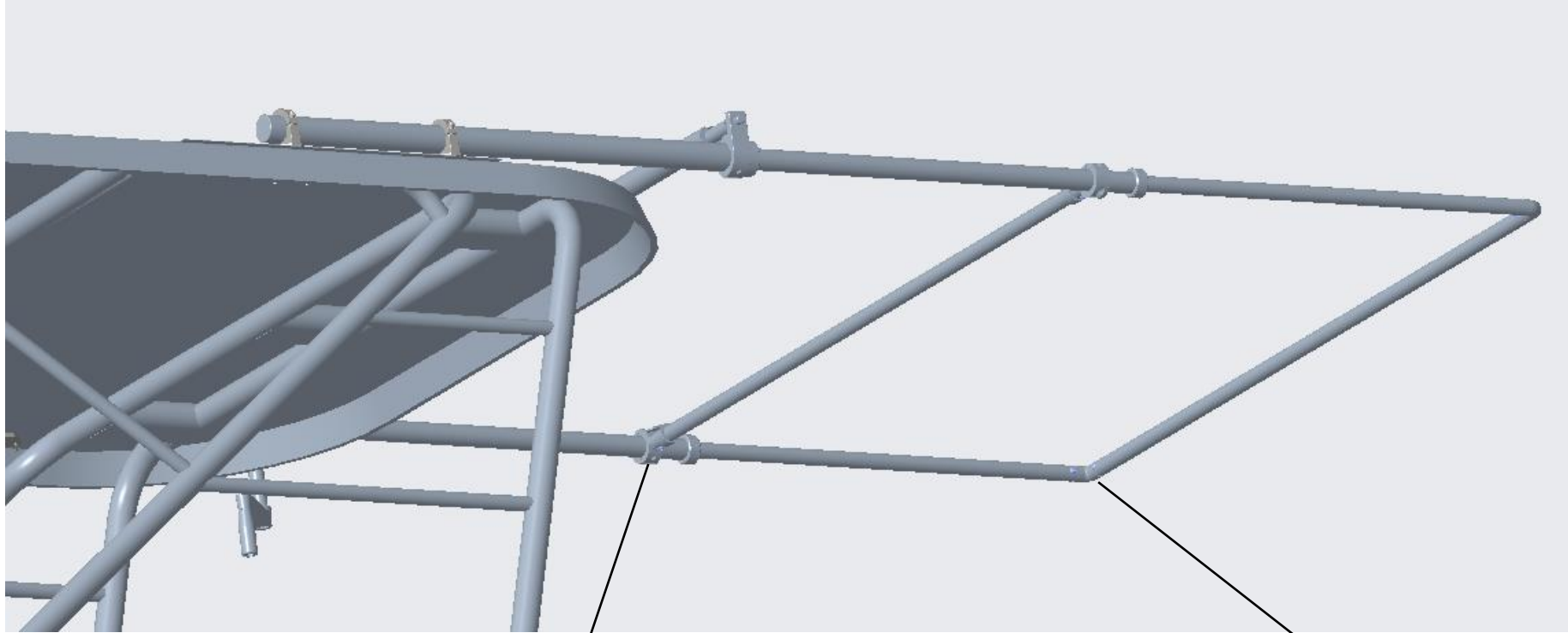
Red Loctite 272



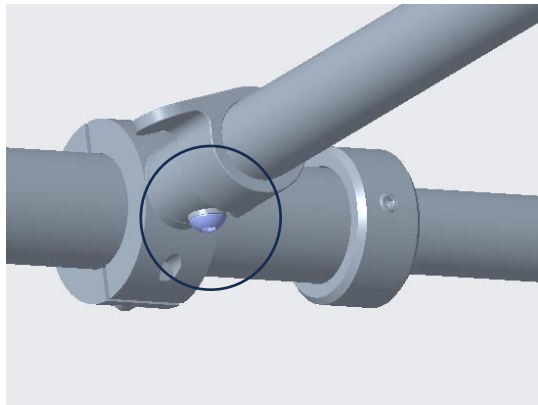
1/4-20 Screw &
Nylon Washer,
6pcs



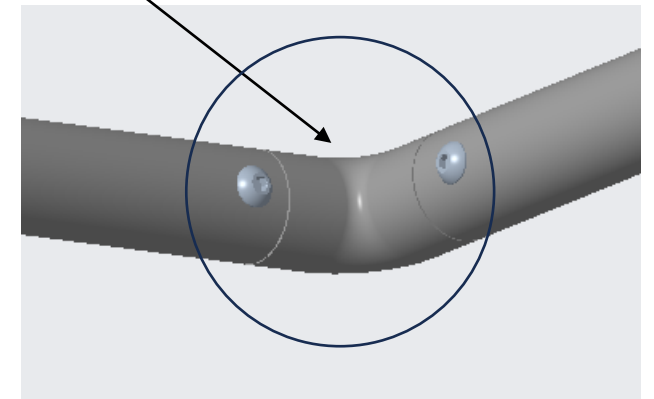
Button Head Socket Cap Screws Replace
Set Screws STAINLESS SHADE



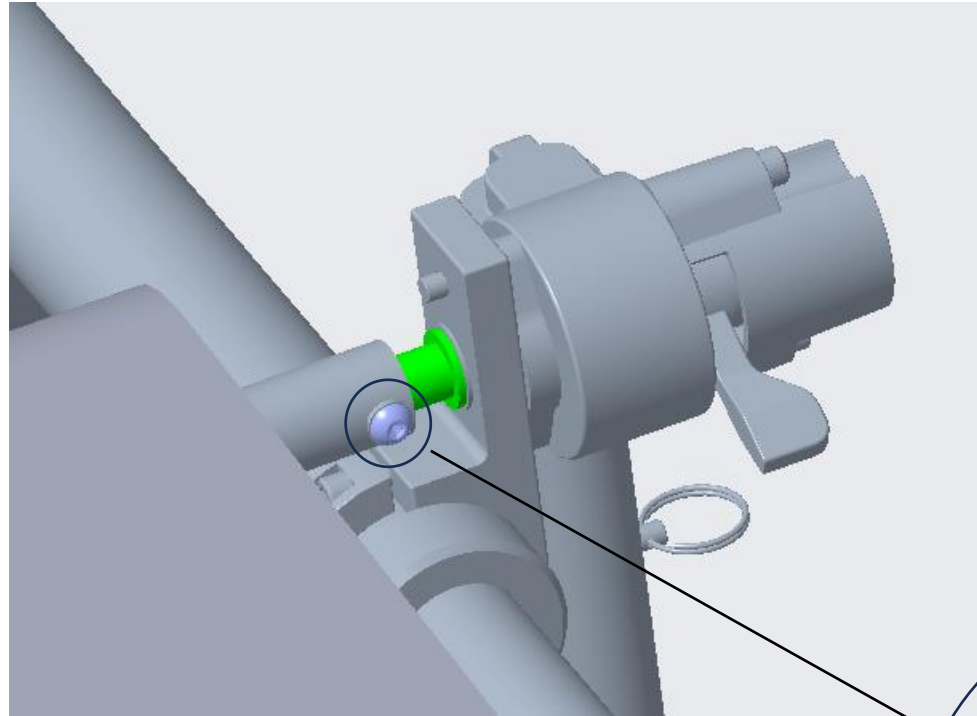
Red Loctite 272



M5 x 0.80 mm
Thread, 10mm
Long, 6pcs



Gearbox Assembly



1/4-20 Screw &
Nylon Washer