



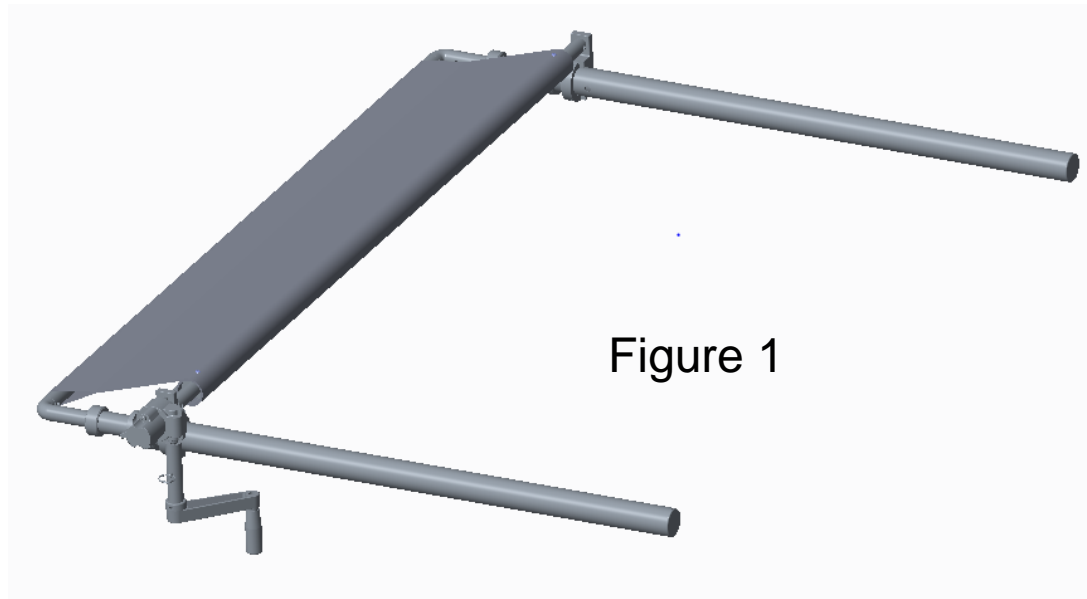
BocaShade

How To Install BocaShade On Boats With Hardtop

Part 2 Installation For Hard Top

- ✓ Recommended for boats up to 37 foot in length
- ✓ Can be stern mounted (5' or 6' length only)
- ✓ Can be bow mounted (5', 6', or 7' length)
- ✓ Can be mounted on Center Console with a Hard Top
- ✓ Can be mounted on Cuddy Cabin with a Hard Top
- ✓ Can be mounted on T-Top with a Hard Top

Part 2 Installation For Hard Top



Step 1:
Assemble kit as shown from Part 1 of installation instruction.

Visit www.bocashade.com "How To" page for assembly video Part 1

Part 2 Installation For Hard Top



Tooling & Material List



Masking Tape



Pencil



Standard Allen Wrench Set



Red Loctite 272



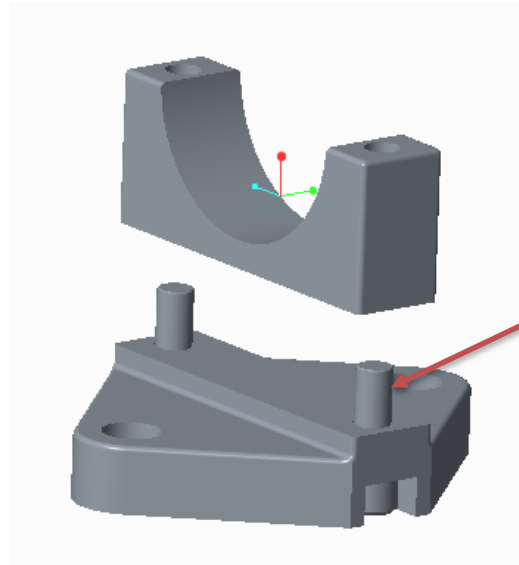
Tape Measure



Drill



Drill bit size 17/64"



Apply Loctite on
both screws

Figure 2

Step 2: Assemble Hardtop Bracket Group

- A. Assemble as shown in Figure 2
- B. Use 2x of 1/4-20 x 3/4" L Cap Screw included in the kit
- C. Apply Loctite for the cap screws and apply full torque
- D. Repeat steps A-C and complete 4 assemblies as shown in figure 2

Part 2 Installation For Hard Top

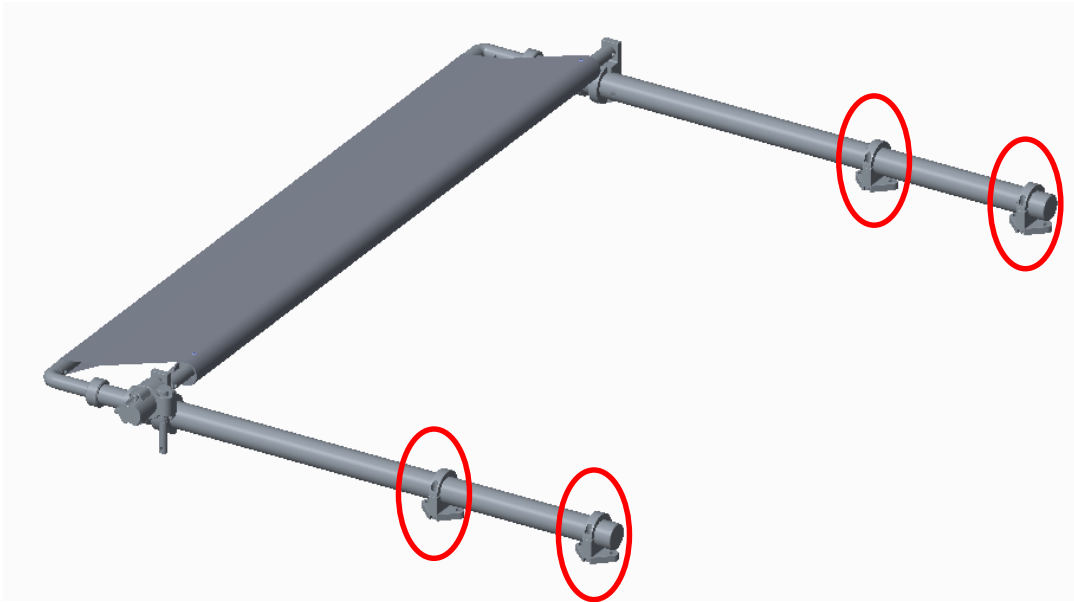
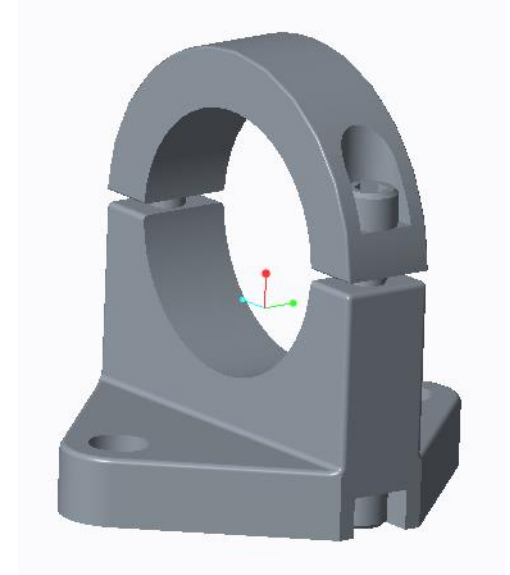


Figure 3



Step 3: Assemble Hardtop Bracket Groups To Shade Kit

- A. Lay shade kit on a flat surface without the crank handle attached
- B. Assemble four hardtop bracket groups as shown in Figure 3
- C. Use 8x of 1/4-20 x 3/4" L Cap Screw included in the kit. Lightly tighten but don't apply full torque or use loctite. This will be done later once the shade assembly is in its final position on the hard top

Part 2 Installation For Hard Top

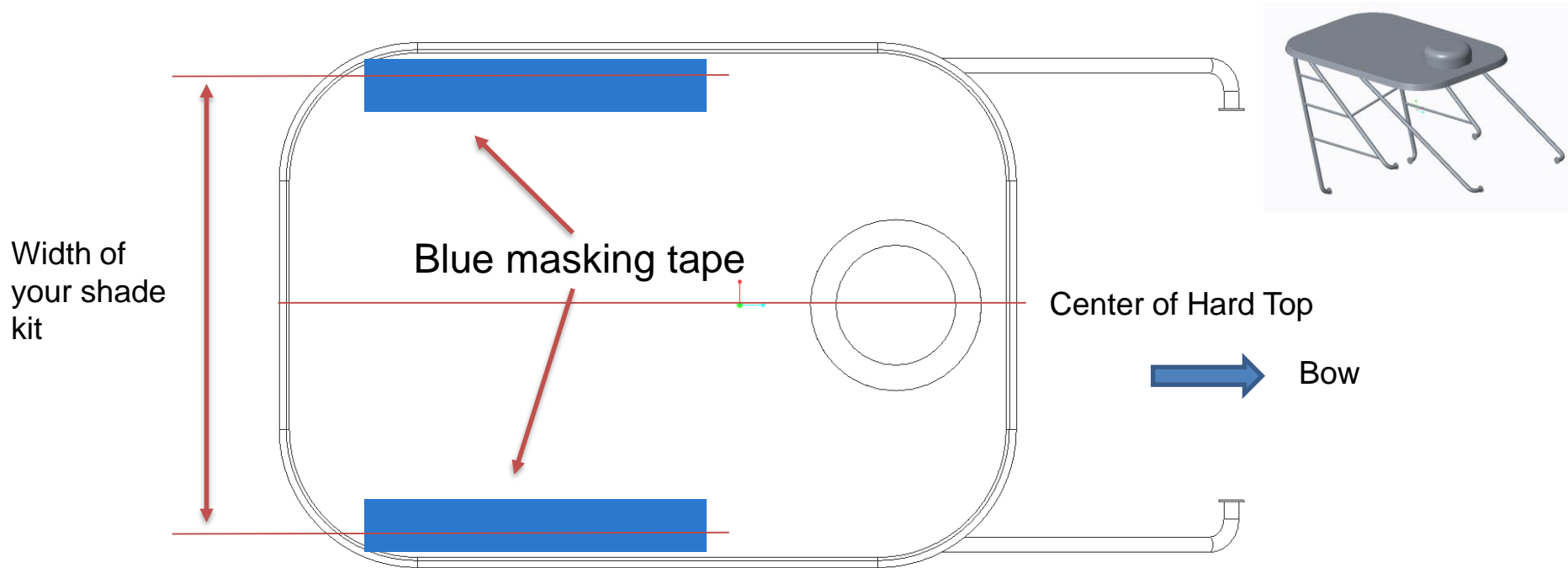


Figure 4

Step 4: Preparing Hard Top For Mounting

- Use blue masking tape and tape to the hardtop at about the locations where the hardtop brackets would be mounted, depending on the width of your shade kit.
- Use a pencil and draw two parallel lines on the tapes. Center the two parallel lines to the center of your hardtop.
- The distance between the lines should be exactly the width of the shade kit as ordered. For example: If width of shade kit ordered is 60", the distance between the scribed lines should be 60". See figure 4

Part 2 Installation For Hard Top



Adjust shade to fit



Figure 5

Step 5: Mounting Shade Kit On Hardtop (2 person is recommended)

- A. Insert crank handle to the shade kit
- B. Place shade kit assembly on top of hardtop
- C. Adjust the kit forward and rearward as necessary depending on accessories like rod holders already on your hardtop. Make sure crank handle rotate freely with out obstructions
- D. Align the four hardtop bracket groups and center the mounting holes onto the lines marked on the tape from step 4B. See Figure 5, Figure 6, Figure 7, Figure 8.
- E. Make sure the hardtop brackets lay flat onto the hardtop surface

Part 2 Installation For Hard Top

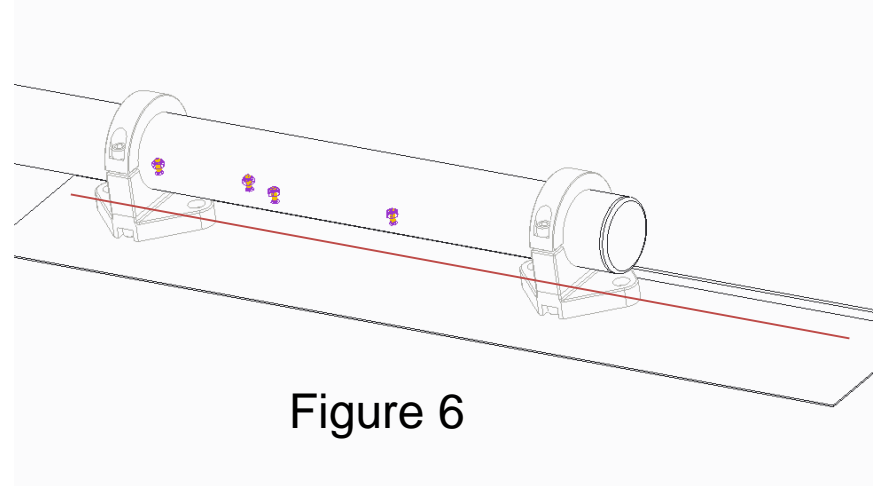
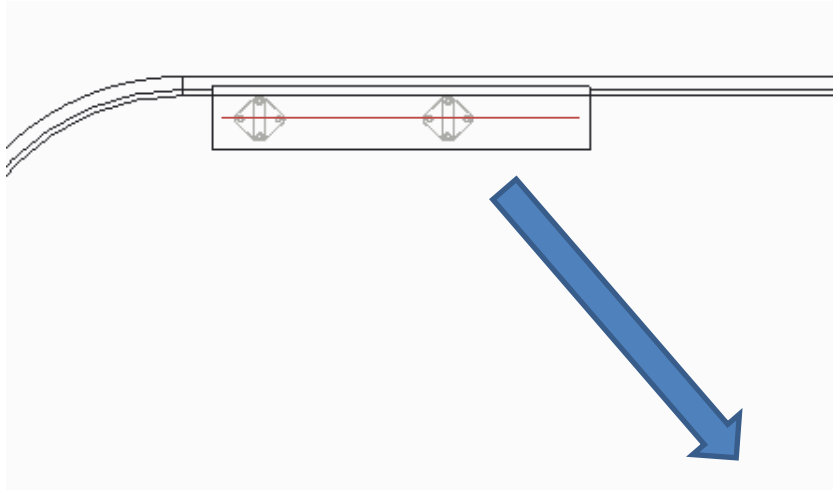
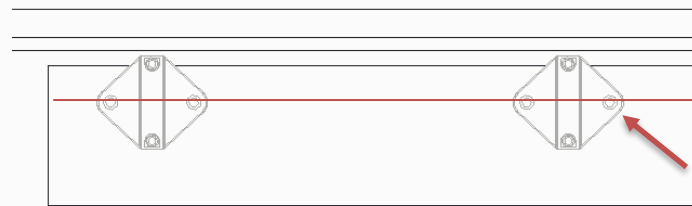


Figure 6



Hardtop bracket group centered on line

Figure 7
(Telescopic tube not shown)

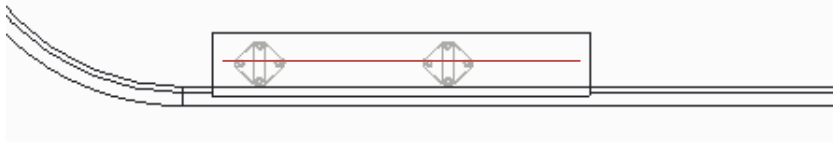


Figure 8
(Telescopic tube not shown)

Part 2 Installation For Hard Top

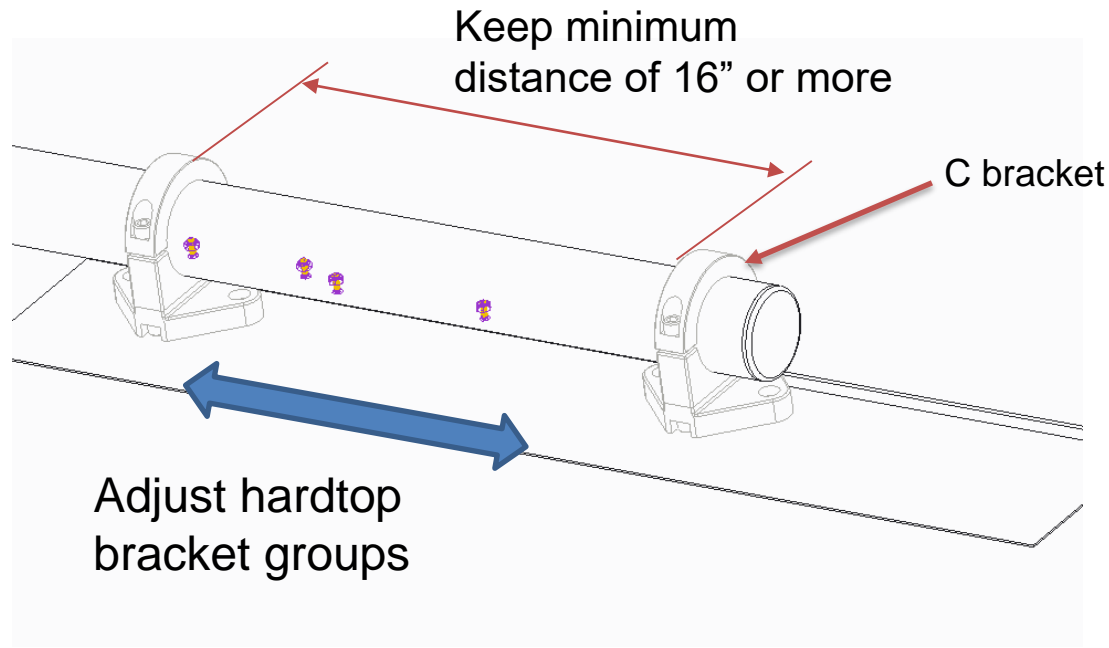


Figure 9

Step 6: Adjust Hardtop Bracket Groups (2 person is recommended)

- A. Loosen "C" brackets to adjust hardtop bracket groups forward and rearward as needed.
- B. Maximize the distance between bracket groups for strength and stability
- C. **MUST** keep a minimum distance between "C" brackets of 16" or more for strength and stability. See figure 9

Part 2 Installation For Hard Top

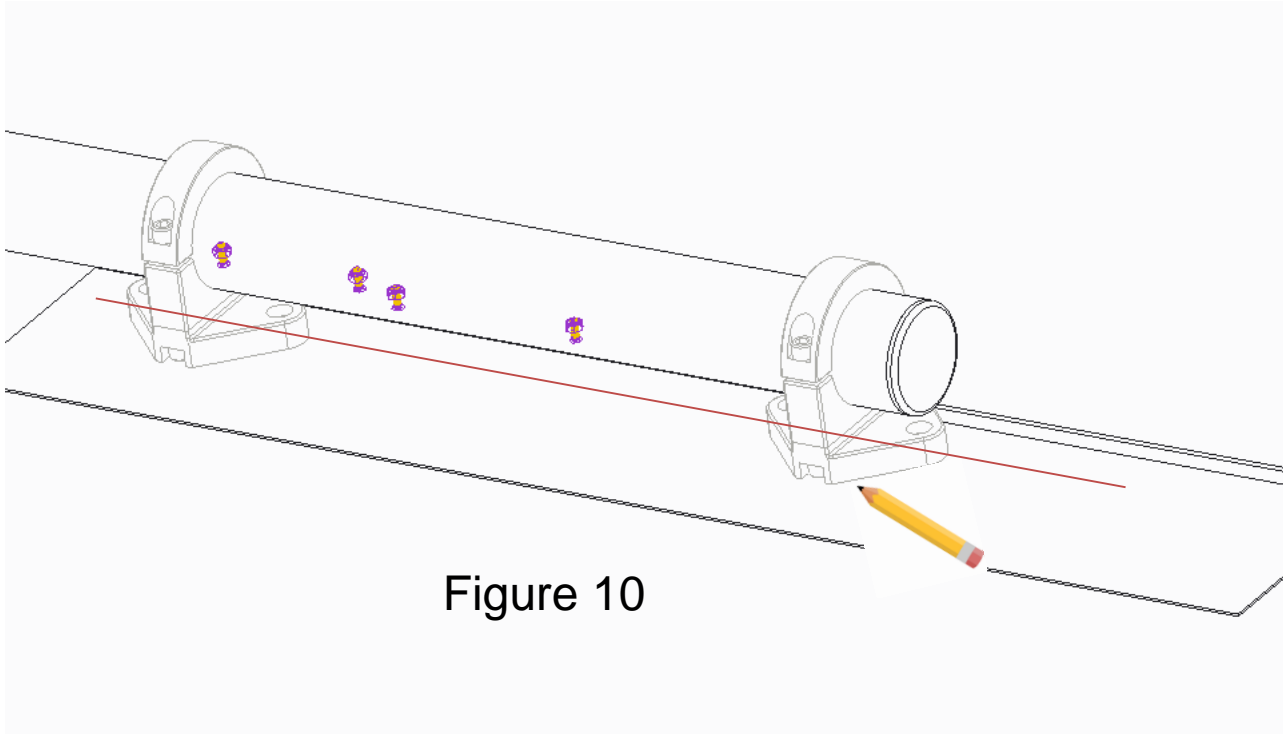


Figure 10

Step 7: Mark Holes For Drilling (2 person is recommended)

- A. Once shade kit is placed in its desired position and holes on the hardtop mounting brackets are centered on the lines, use a pencil and mark the outline of the bracket as shown in figure 10 in four places.
- B. Remove the shade kit assembly from the hardtop

Part 2 Installation For Hard Top

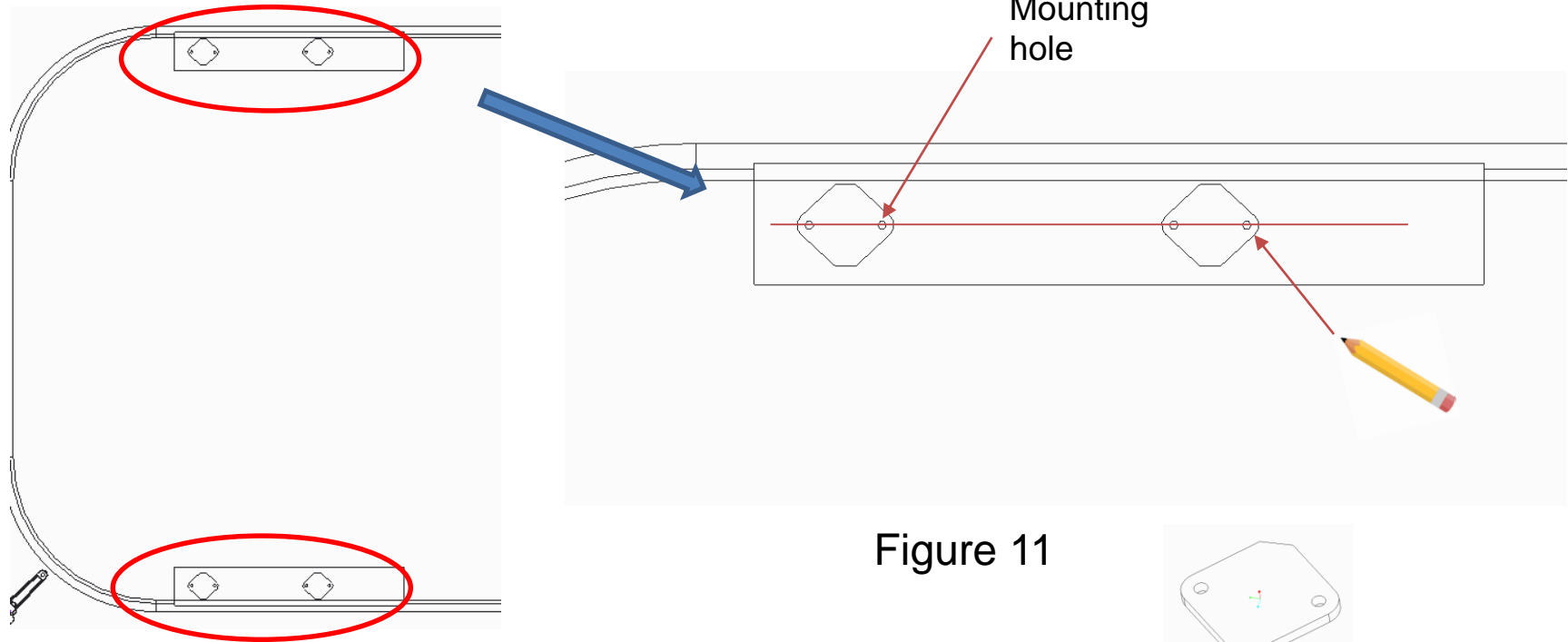
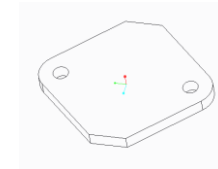


Figure 11



Backing Plate

Step 8: Mark Hole For Drilling

- A. Use backing plate included in the kit and align over the outline from step 7
- B. Use a pencil and trace out all 8 mounting holes

Part 2 Installation For Hard Top

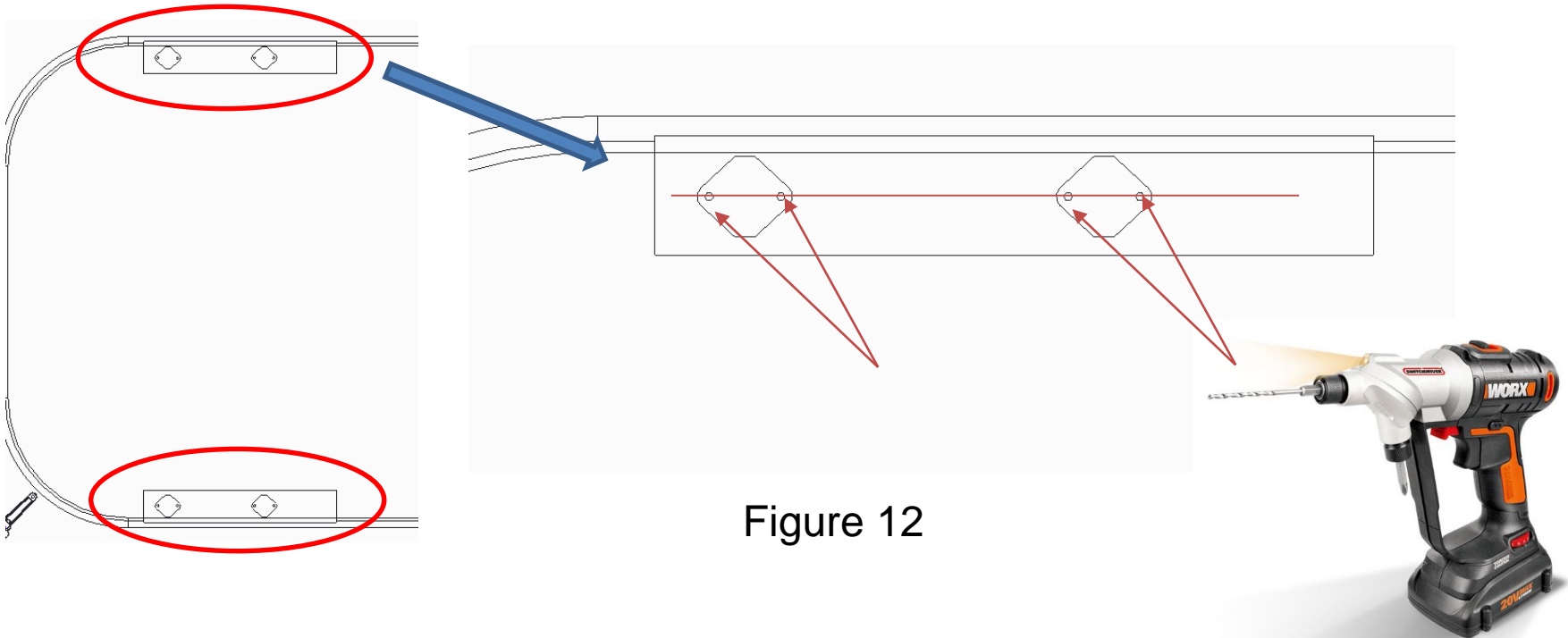
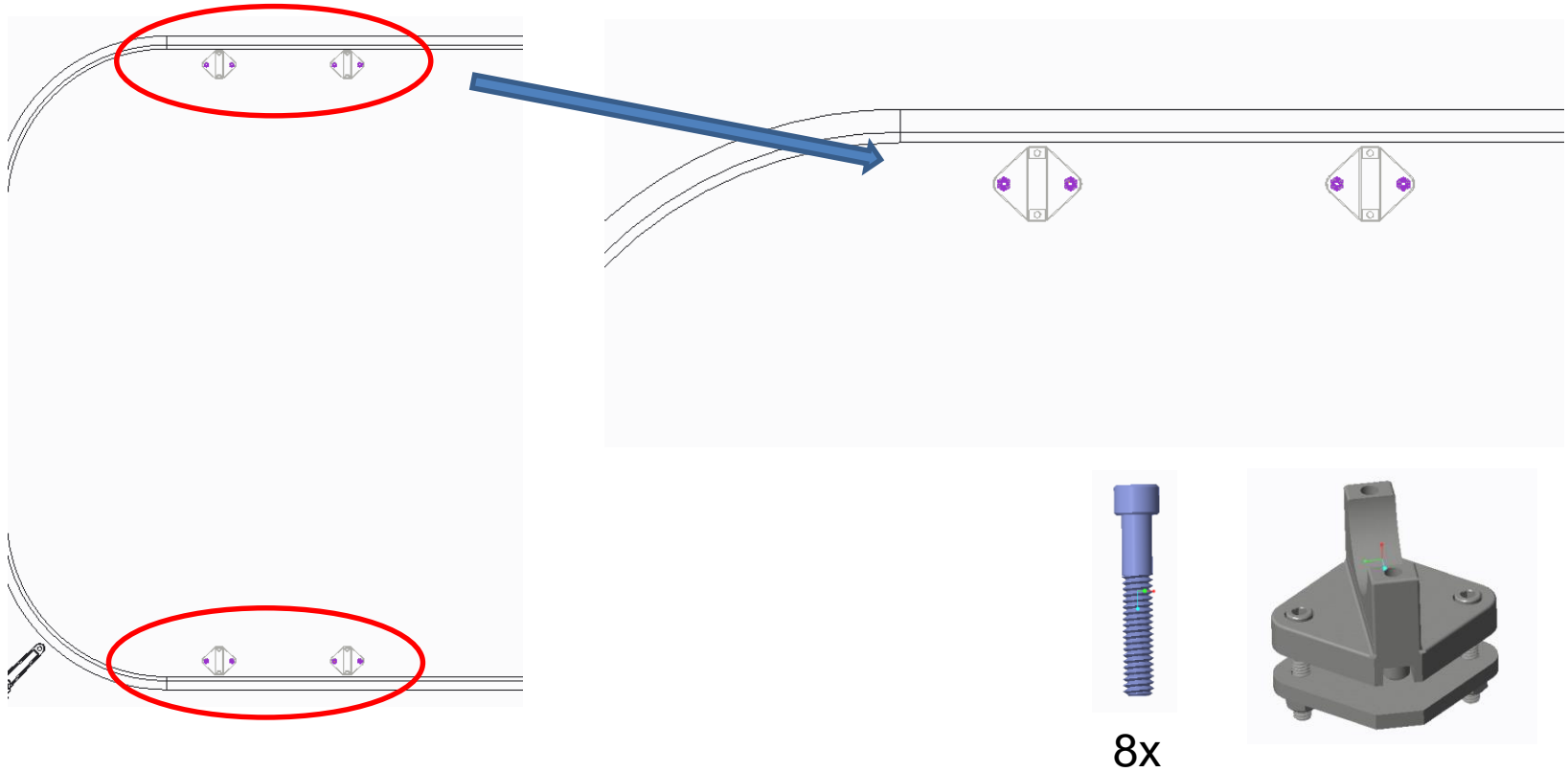


Figure 12

Step 9: Mark & Drill

- A. Caution: Before drilling, check to make sure you are not drilling into existing wires, accessories, and other fixtures below the hardtop
- B. Drill 8 holes with drill bit size $17/64$ " for clearance of $1/4$ " diameter screws

Part 2 Installation For Hard Top



Step 10: Mount Hardtop Bracket Groups

- Remove masking tapes
- Remove four hardtop bracket groups from telescopic tubes
- Use 8x, 1/4-20 x L cap screws and mount four hardtop bracket groups to the hardtop.
Note: L is the length of the screws depending on the thickness of your hardtop
- Use 4x backing plates and 8x 1/4-20 nyloc nuts and torque to tighten hardtop bracket groups to the hardtop

Part 2 Installation For Hard Top



Underside side of hardtop

Top side of hardtop

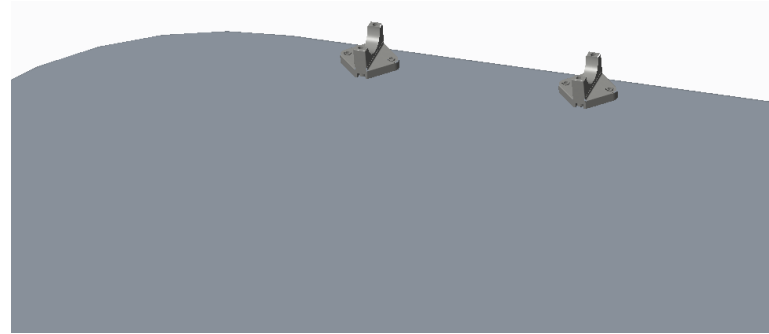
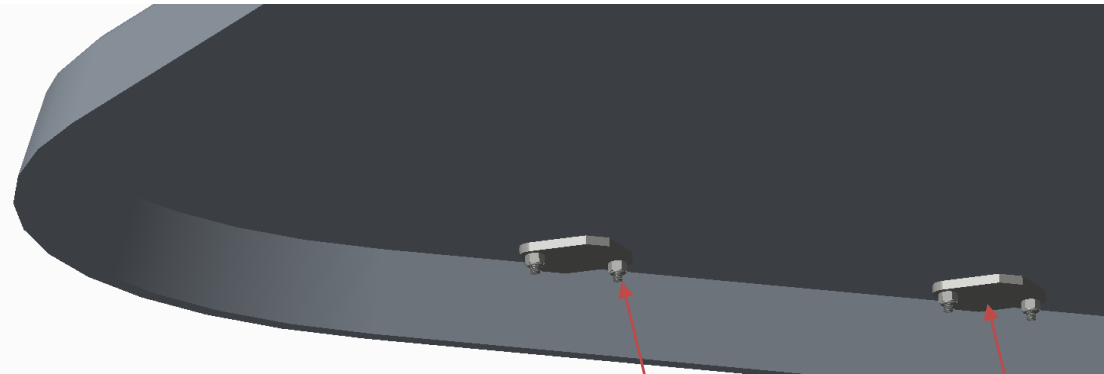
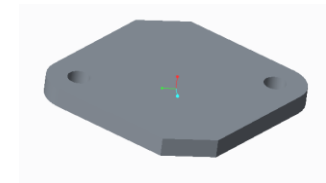


Figure 11

Nyloc nuts &
Cap screws

Backing
Plate



4x

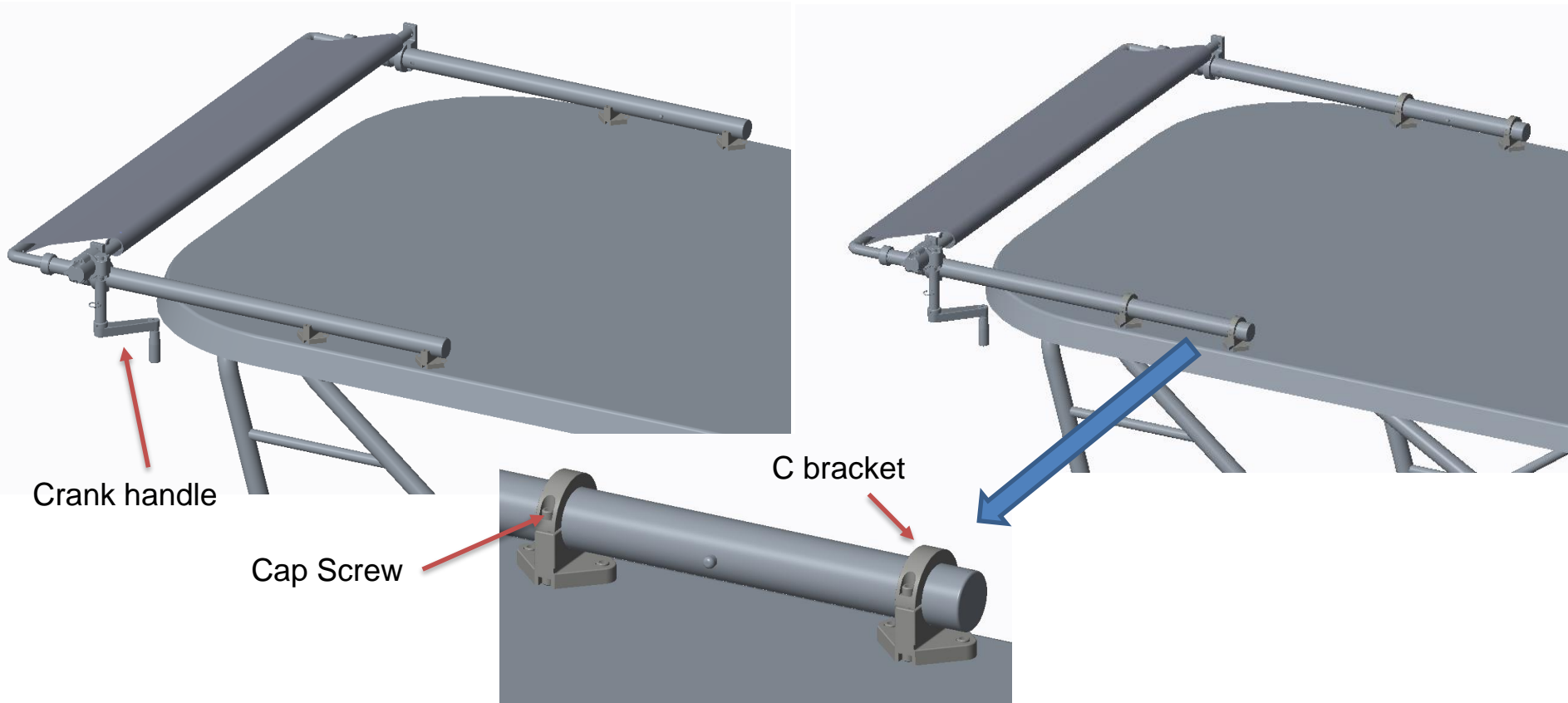


8x

Step 11: Mount Hardtop Bracket Groups

- A. Use 4x backing plates and 8x 1/4-20 nyloc nuts and torque to tighten hardtop bracket groups to the hardtop. See Figure 11

Part 2 Installation For Hard Top



Step 12: Mount Shade Kit

- A. Place shade kit onto the four hardtop bracket groups.
- B. Adjust shade kit position forward and rearward as needed
- C. Check to make sure crank handle rotates freely without obstruction
- D. Assemble 4x "C" brackets with 8x 1/4-20 x 3/4" L cap screws. Tighten screws (do not apply loctite at this step)

Part 2 Installation For Hard Top



Step 13: Test By Fully Extending Shade

A. Visit www.bocashade.com "How To" page to view video

Part 2 Installation For Hard Top

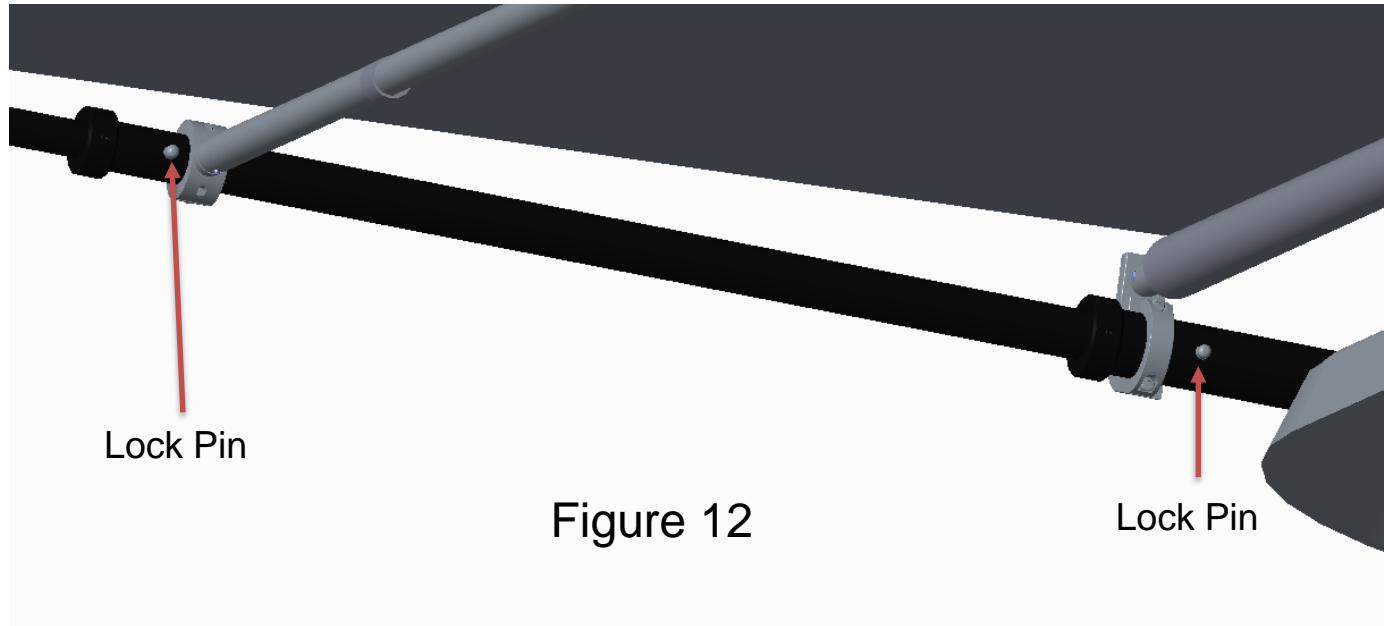
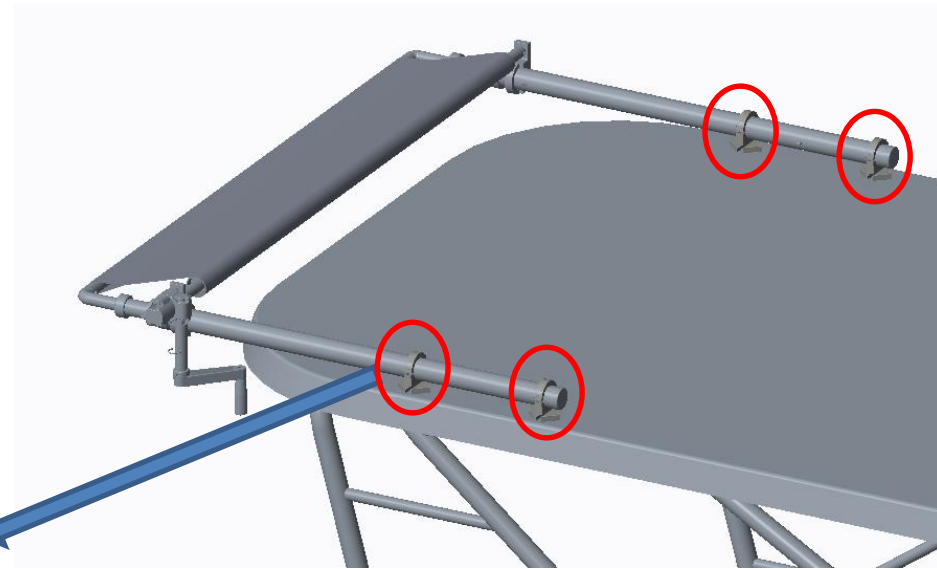
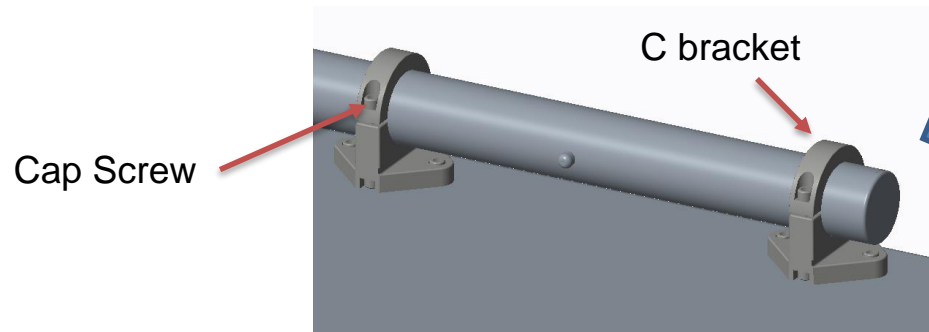


Figure 12

Step 14: Test By Fully Extending Shade

- A. Check to make sure locking pins have fully sprung out to lock telescopic tubes in place as shown. See figure 12.
- B. Repeat step A for the other side
- C. If all four locking pins are fully out, proceed to step 15.
- D. If locking pin(s) are not fully sprung out to lock, go to step 16.

Part 2 Installation For Hard Top



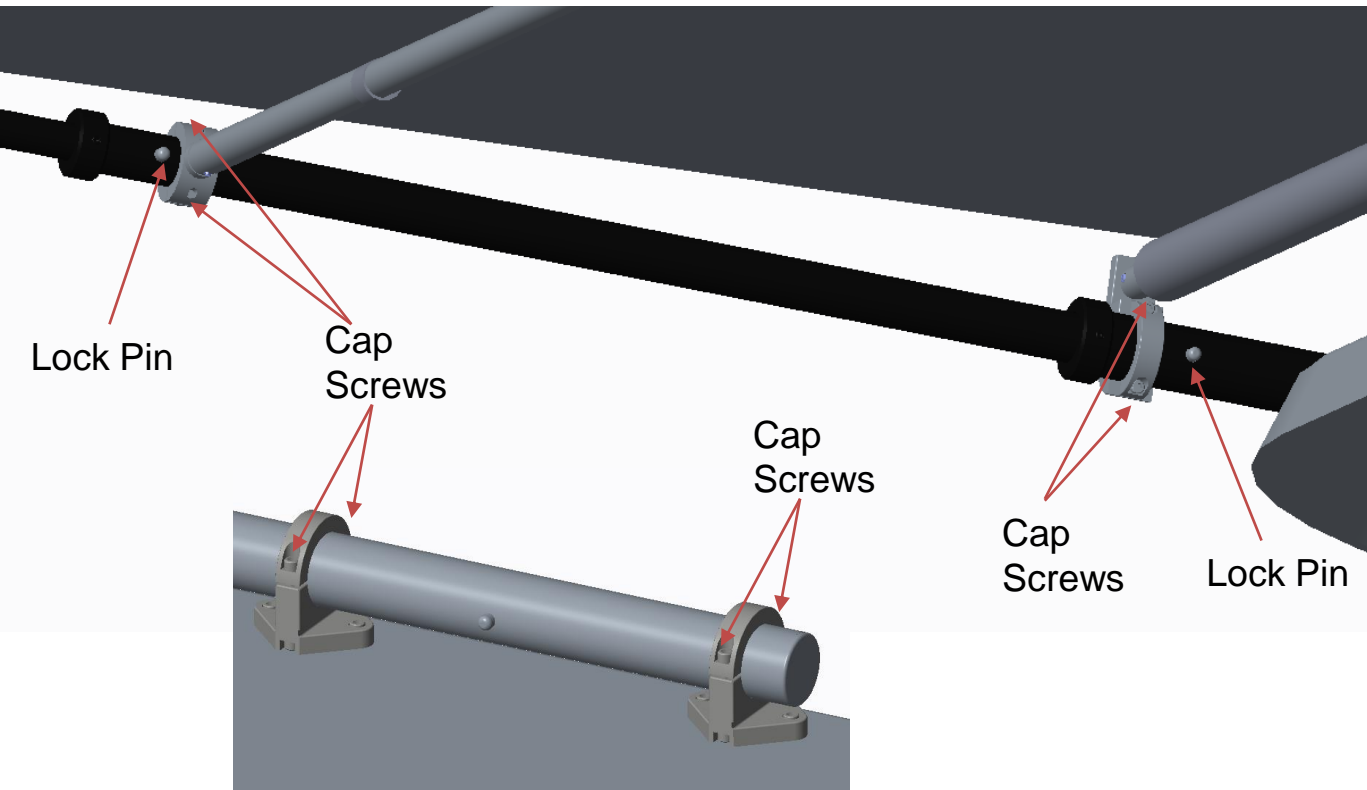
Step 15: Apply Loctite & Fully Torque Screws

- A. Remove "C" bracket one at a time by removing Cap Screws
- B. Apply Loctite and re-assemble
- C. Repeat steps A, B for all four bracket groups



Red Loctite 272

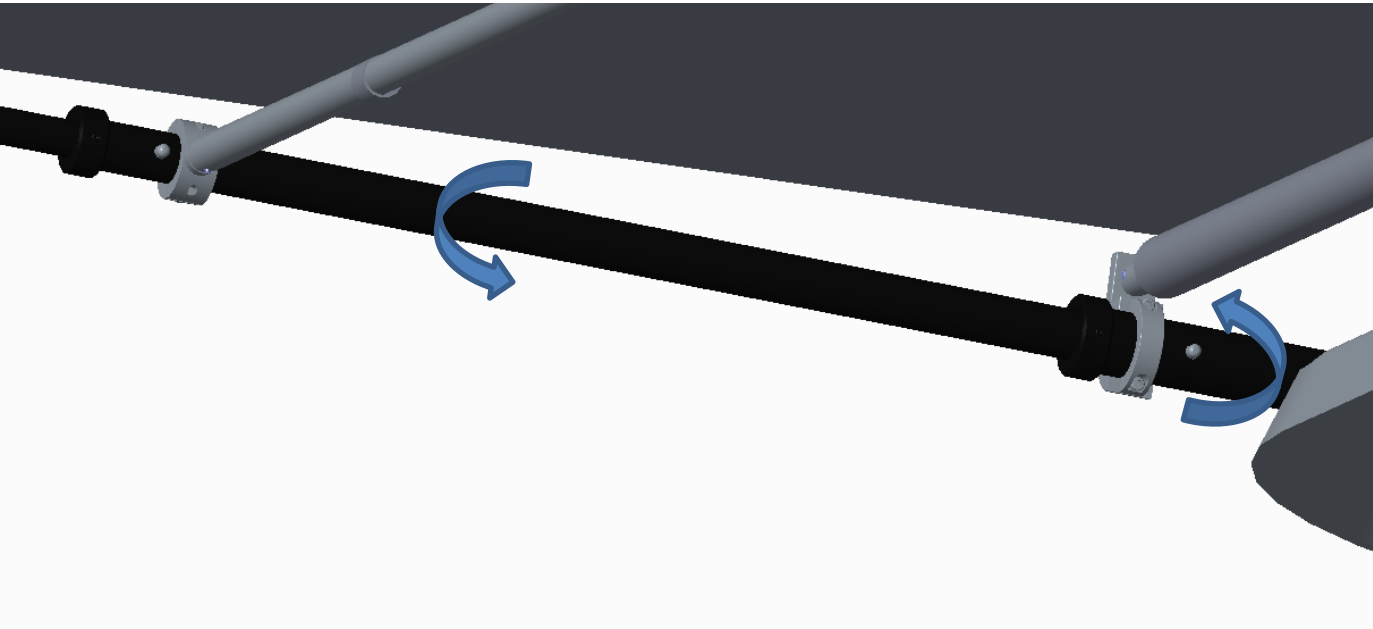
Part 2 Installation For Hard Top



Step 16: Lock Pin Alignment

- A. If lock pin(s) did not spring out fully when shade is completely extended, loosen cap screws (Do not remove) by a few turns at the locations shown.

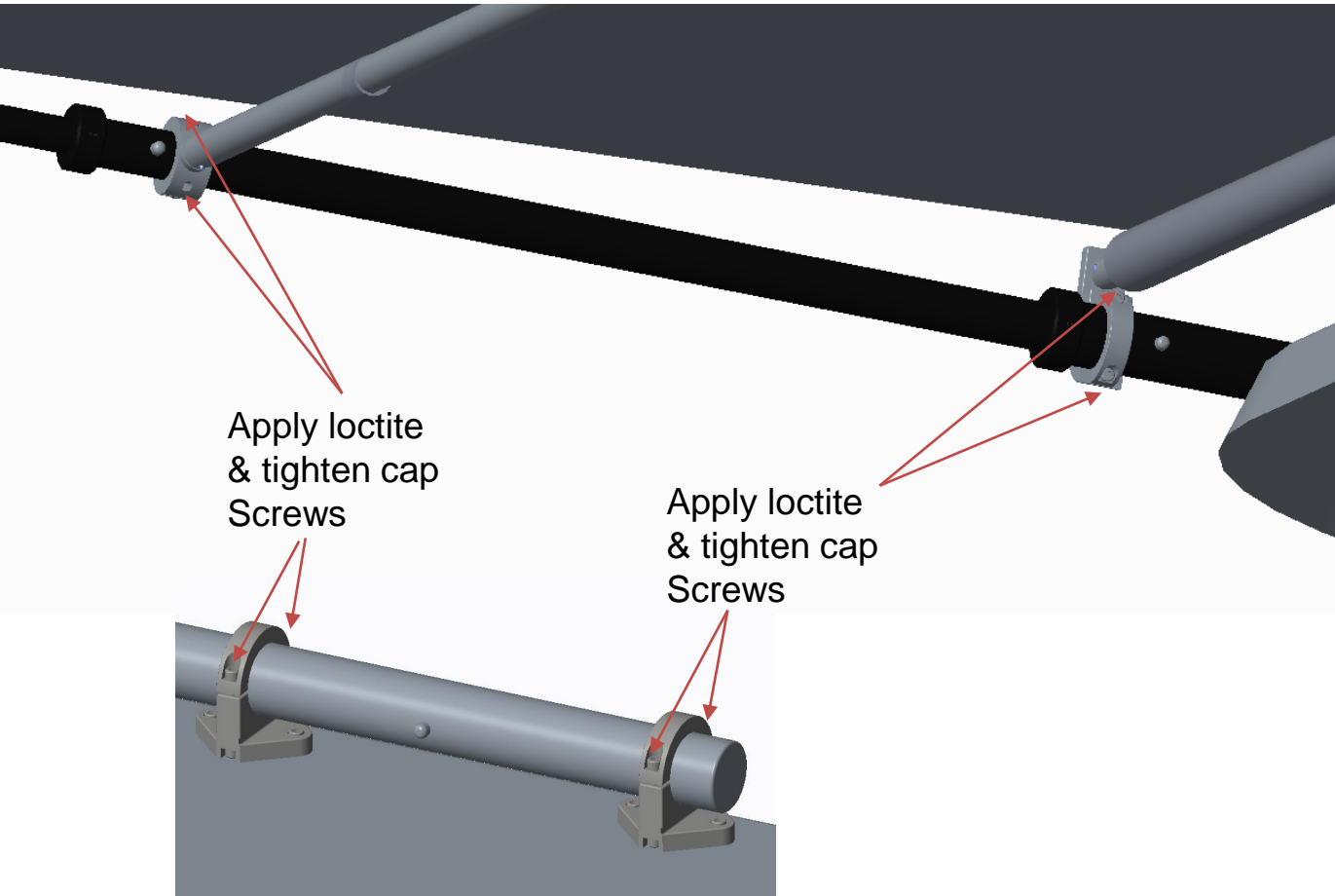
Part 2 Installation For Hard Top



Step 17: Lock Pin Alignment

- A. Rotate the tubes as shown to allow the locking pin(s) to spring out and lock the tubes

Part 2 Installation For Hard Top



Red Loctite 272

Step 18: Lock Pin Alignment

- A. Apply loctite and fully torque cap screws
- B. Repeat steps 16, 17 and 18 for the other side
- C. Test shade by retracting and extending to ensure full functionality. Visit www.BocaShade.com and "How To" page to view videos.