

STOP!!!

Please Review All Product Information And Installation Instructions Before Assembly and Mounting Of Your BocaShade.
Your Warranty Could Be Voided If Installation Instructions Are Not Followed.

How to Extend Boca Shade

<https://youtu.be/-8zA9ZnuNf4?si=QSzeRF6t8-QuggvI>

How to Retract Boca Shade

https://youtu.be/EyHA_9tHjEw

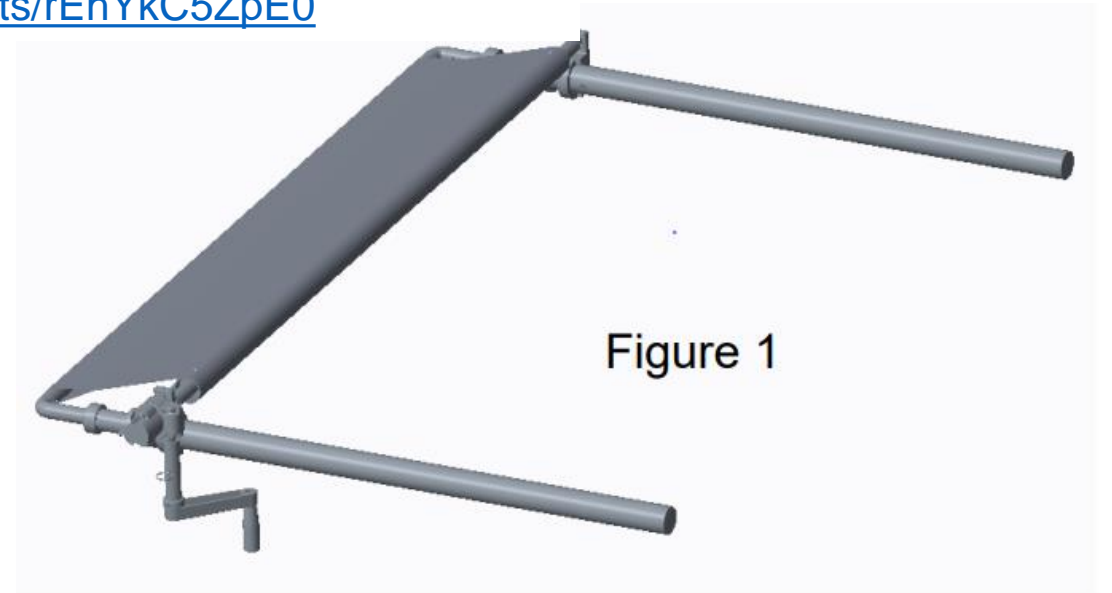
How to Use Ring & Tab

<https://youtube.com/shorts/rEhYkC5ZpE0>

How To Assemble Your BocaShade

(Hard-Top or Soft-Top) PART 1

<https://youtu.be/9dYpSjGKHsw>



LOANER ADJUSTABLE CENTERING TOOL (C-C Tool)



Loaner Centering Tool (Now Available At Your Request)

- Centering tool telescopically adjusts to your shade width (C-C).
- Keeps the shade frame parallel for alignment and installation on your boat top.
- Make your installation job go faster, easier, and with accuracy so you can get on the water faster
- A deposit of \$299 is required and a \$225 refund will be issued when the tool is returned

How To Use BocaShade Centering Tool

<https://www.youtube.com/watch?v=jyQKASTPqyc>



INSTALLATION TIP

We recommend that you use our C-C centering loaner tool for your DIY installation. However, if you decide not to use our loaner tool, see below installation tip.

Cut a length of wood to center and keep the shade frame parallel while aligning the shade on your boat top.

How To Determine The Length Of The Wood Piece?

- For Aluminum Shade
 - Subtract 1-13/16" from the C-C shade width used to order your BocaShade.
- For Stainless Steel Shade
 - Subtract 2" from the C-C shade width used to order your BocaShade.

HOW TO INSTALL BOCASHADE ON YOUR BOAT WITH A HARD TOP

<https://youtu.be/a0MLpOnHfuk>

https://www.bocashade.com/files/ugd/63861c_27f21ce2b8224c0ba50affe0e29720ce.pdf

How To Align Snap Lock Pins

<https://www.youtube.com/watch?v=AJ4WFHp9GgA>



HOW TO INSTALL BOCASHADE ON YOUR BOAT WITH A SOFT TOP

https://www.bocashade.com/files/ugd/63861c_f9fbc1eebfe54b67a00bd1af17280897.pdf



How To Align Snap Lock Pins

<https://www.youtube.com/watch?v=AJ4WFHp9GgA>

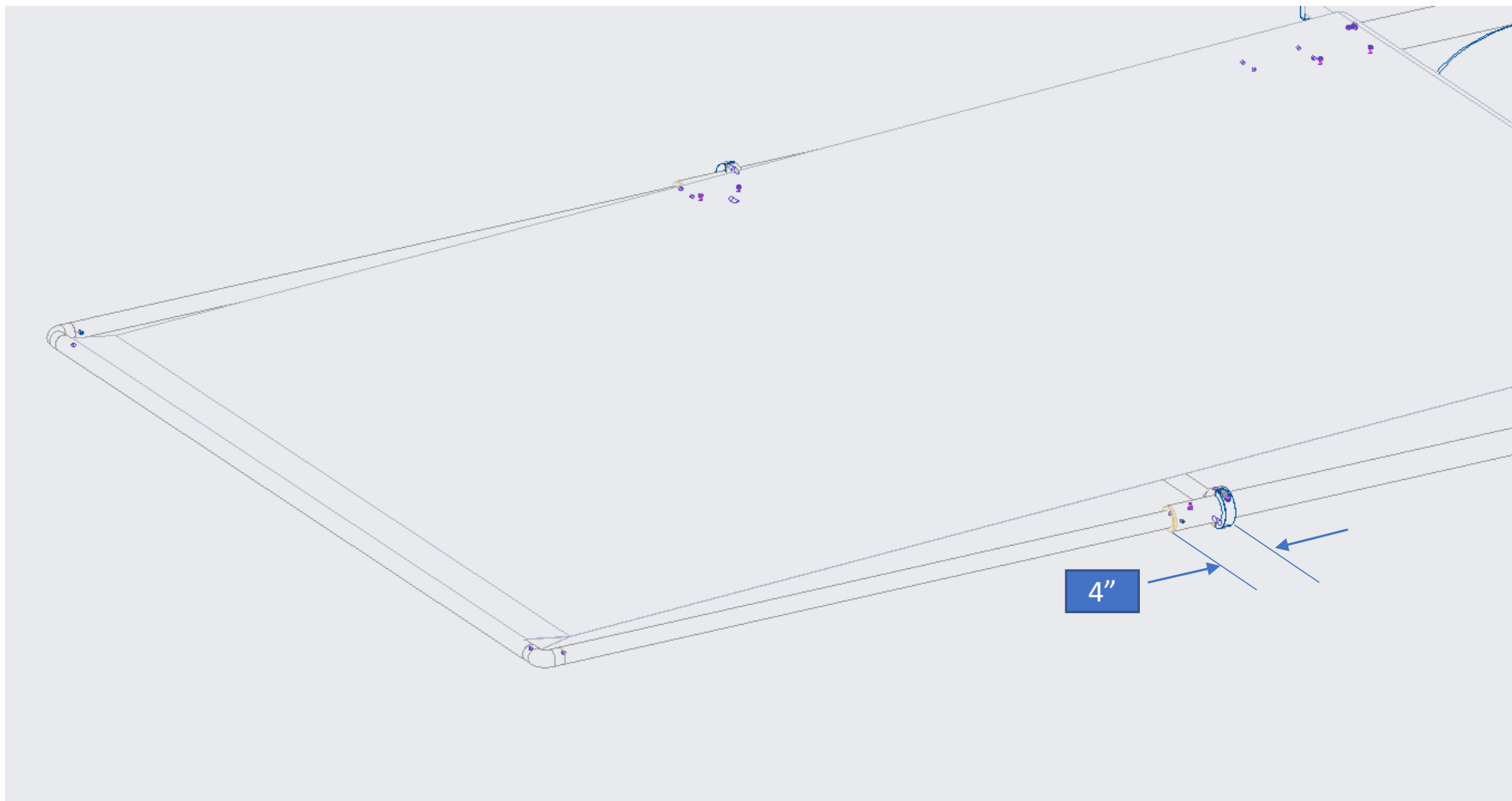
How To Use Toggle Bolts

<https://www.youtube.com/watch?v=r2r44N5tvR8>



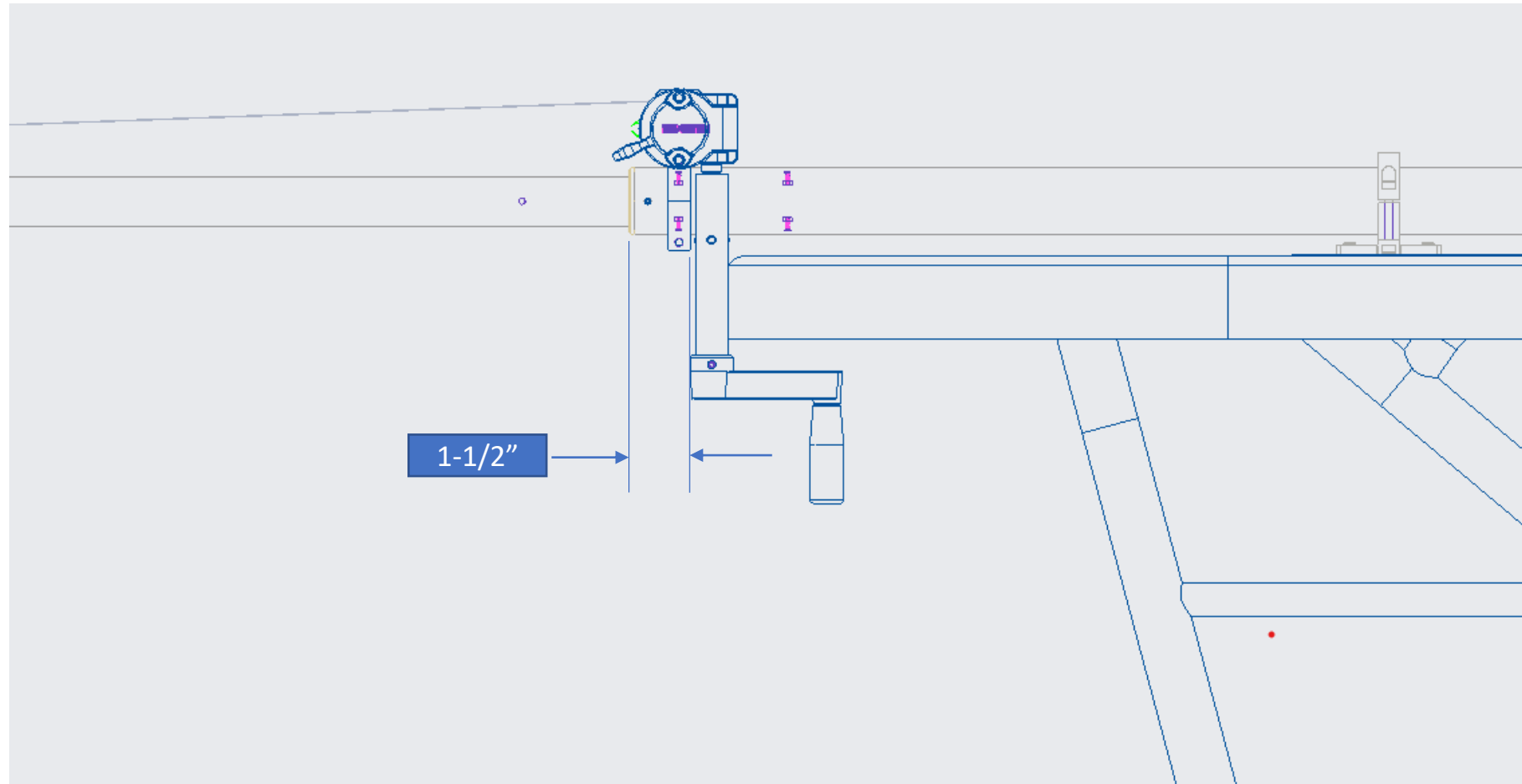
MDX7SS-STAINLESS STEEL SHADE ONLY

Mid-Cross Tube Position



MDX7SS-STAINLESS STEEL SHADE ONLY

Gearbox Bracket Position



FAQ

- **Question:** Can I cruise with my BocaShade extended?
- **Answer:** YES stern mounted only, models MDX5 and MDX6 up to wind speed of 50MPH. For MDX7 stern mounted, you can cruise with only the first or the second stage extended. You cannot cruise with any BocaShade when it is bow mounted.
- **Question:** Can I mount BocaShade on a T-Top with a soft canvas top?
- **Answer:** If the tube frames on the T-Top are parallel, then you can mount BocaShade. You can mount BocaShade above or below the tube frames of your T-Top
- **Question:** Can I mount BocaShade on my hardtop if it has a curve or a crown?
- **Answer:** Yes. BocaShade can be mounted on a curved surface of your hardtop. The brackets can rotate to adjust to the surface of your hardtop.
- **Question:** How wide can you make the shade?
- **Answer:** We can fabricate BocaShade up to 8FT in width
- **Question:** Is there extra charge for customer canvas colors?
- **Answer:** Most popular Sunbrella canvas colors are available in our warehouse. There will be a handle fee for special color order.
- **Question:** Can I mount BocaShade on my boat if I have rod holders?
- **Answer:** Yes. BocaShade can be mounted so that the canvas roller can be positioned in front or behind the rod holders.
- **Question:** How quickly can I get my BocaShade?
- **Answer:** We need about two weeks to ship your shade. If you need expedited service, we can work with our partners to meet your request at an extra charge.
- **Question:** Can I trailer my boat with BocaShade installed?
- **Answer:** Trailering your boat with BocaShade installed will cause damages and will void any warranty. If you are trailering your boat with BocaShade installed where wind speed can exceed 50MPH, you need to secure your BocaShade so that it won't be deployed and causes damages. Remove the boot cover (Stern) and use bungee cords to strap your BocaShade while trailering. For bow shade, the boot cover can remain on the shade while trailering