

BocaShade

How To Install BocaShade on a Soft Top

- ✓ Recommended for boats up to 37 foot in length
- ✓ Can be bow or stern mounted (5', 6', or 7' length)



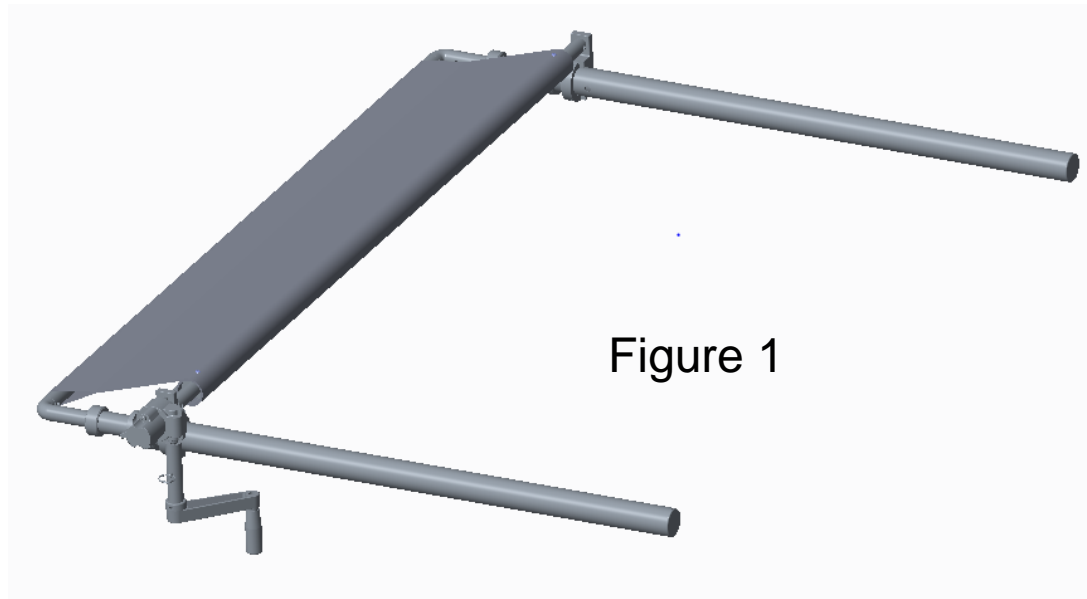


Figure 1

Step 1:
Assemble kit as shown in figure 1

<https://youtu.be/9dYpSjGKHsw>.

BocaShade Soft Top Installation



Tooling & Material List



Tape Measure



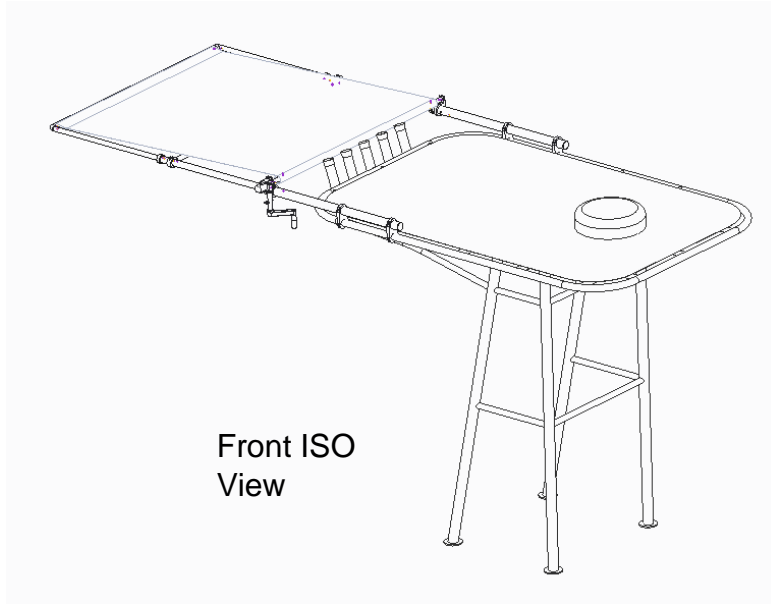
Standard Allen Wrench Set



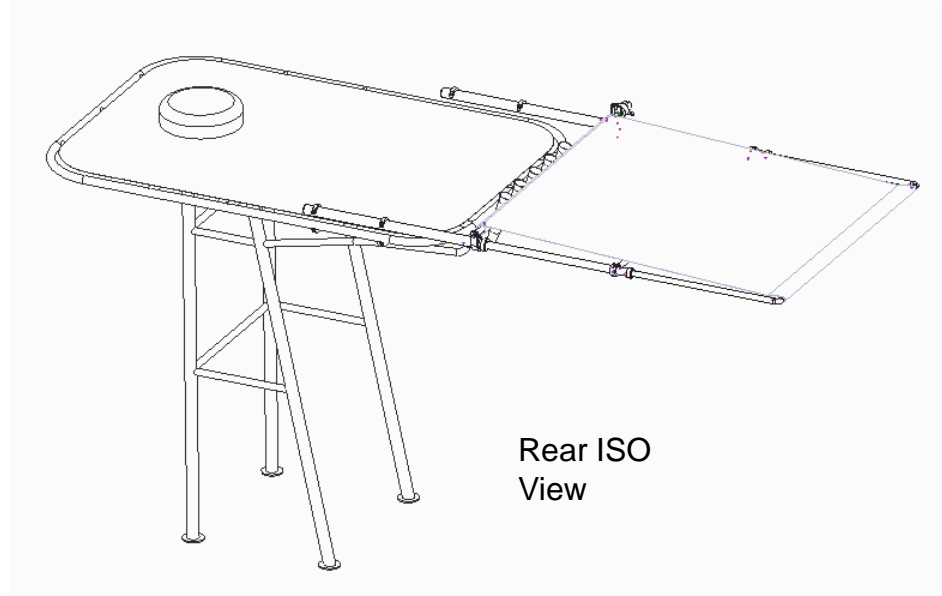
Loctite



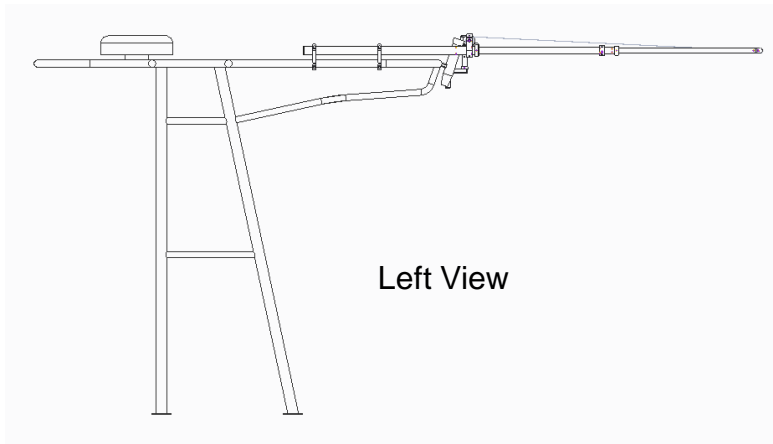
BocaShade Soft Top Installation



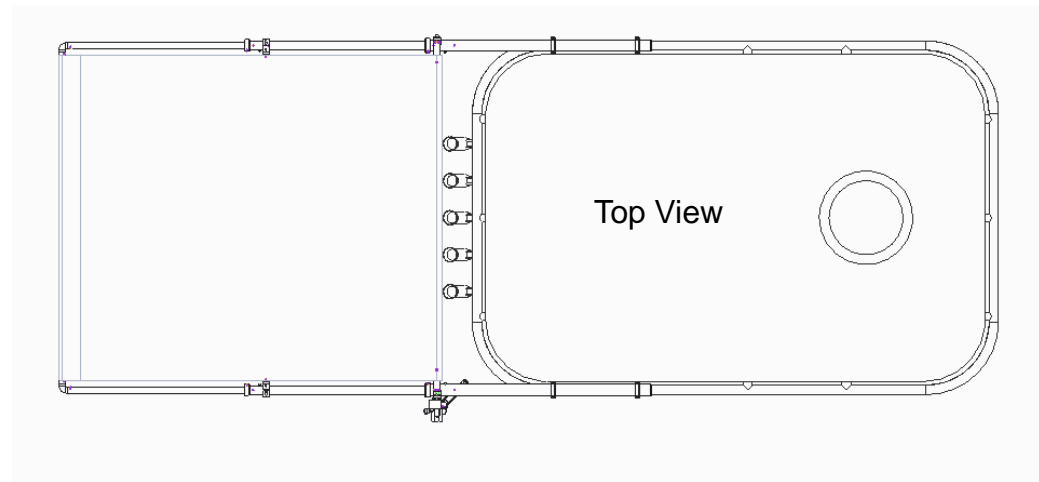
Front ISO View



Rear ISO View

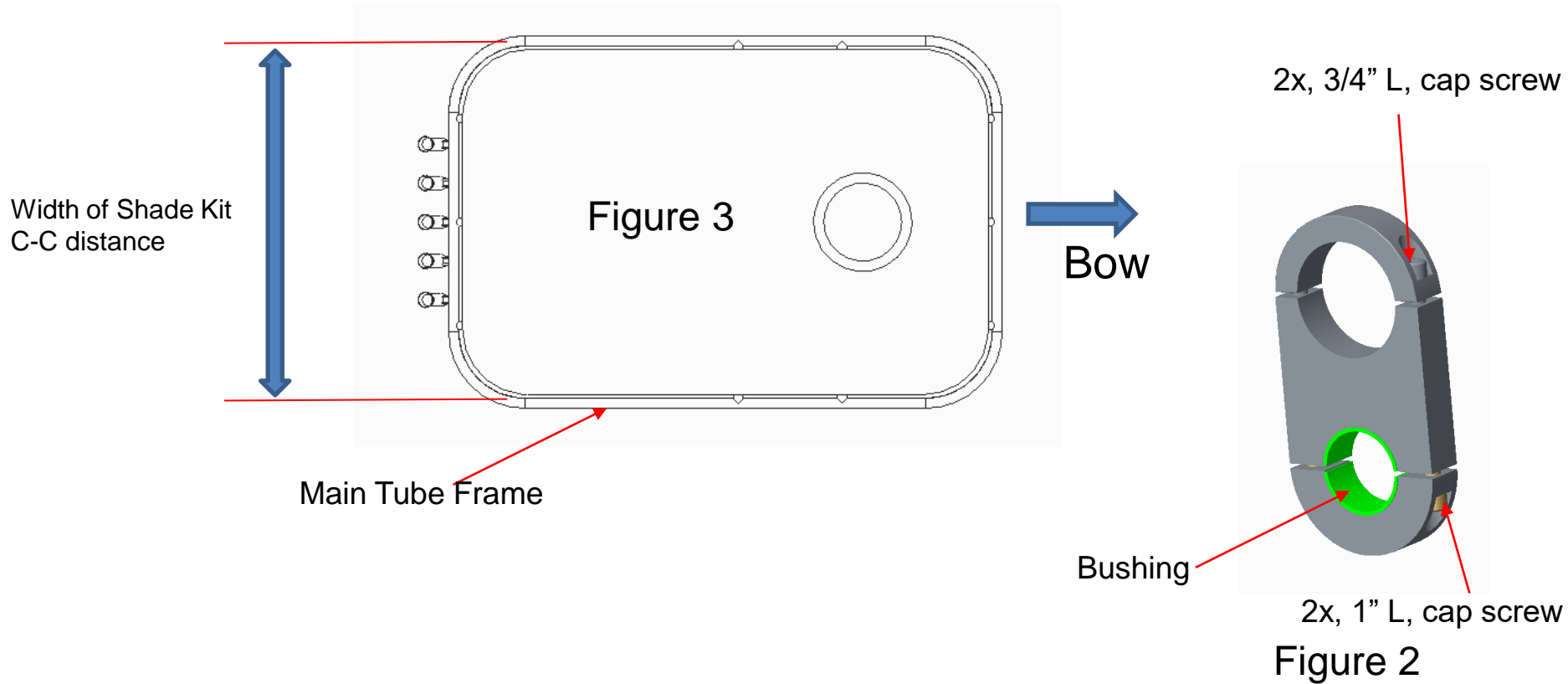


Left View



Top View

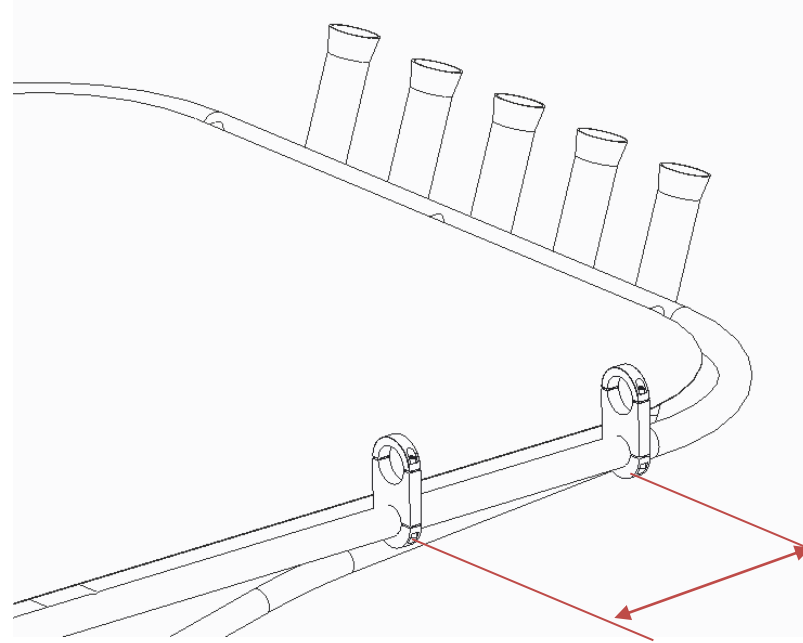
BocaShade Soft Top Installation



Step 2: Prepare the 4x T-Top Bracket Groups As Shown. See Figure 2

- A. The width of your shade kit was custom made to the fit the width of your canopy main frame tubes. This is the center to center distance between the main tubes, C-C. See Figure 3
- B. If the diameter of your tube frame is smaller than 1-3/8" OD, bushings (included in your kit) will be necessary to ensure proper attachment of brackets to your T-Top

BocaShade Soft Top Installation

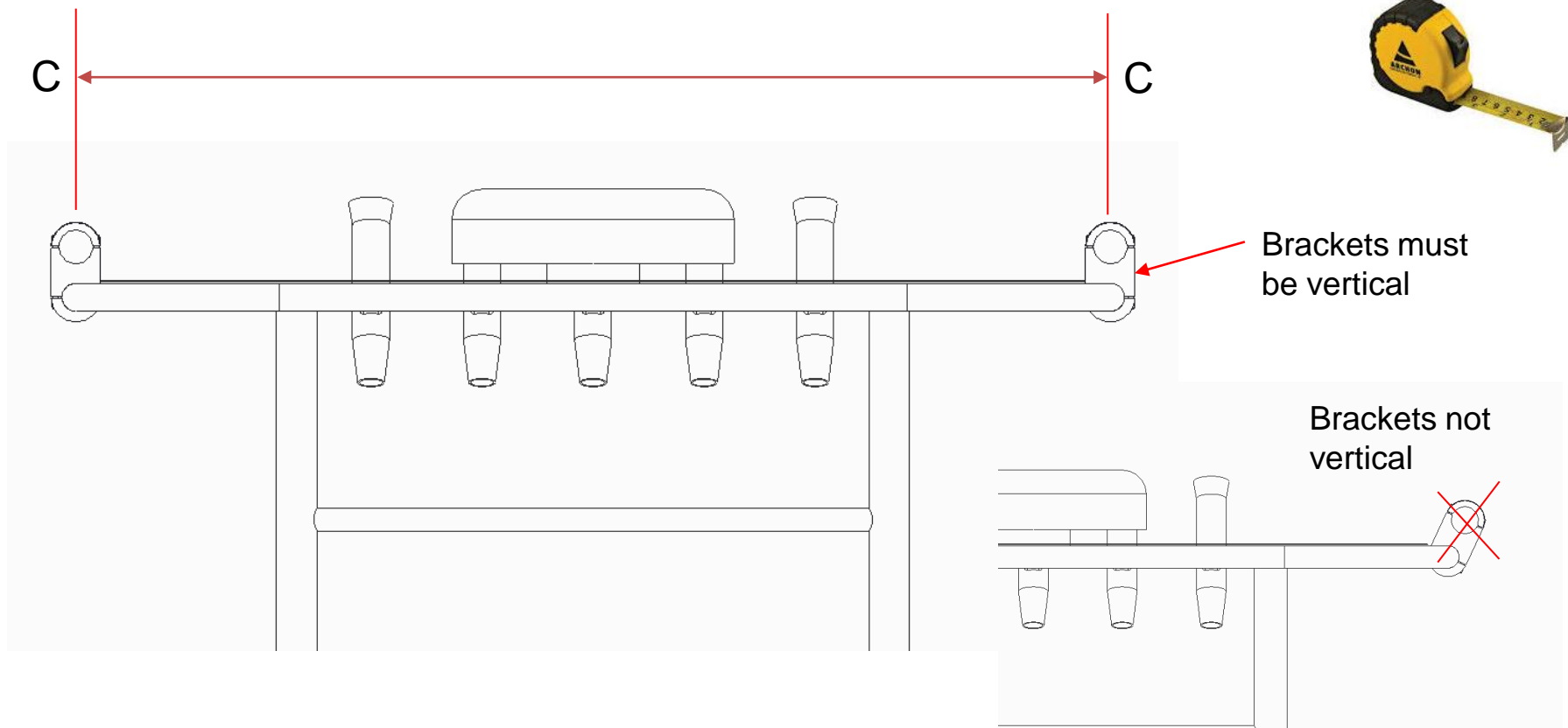


Keep minimum distance of 16" or more

Step 3: Mount 4 Bracket Groups To the Main Frame Tubing

- Mount the 4 bracket groups as shown to your main frame tubing. Do not fully tighten the cap screws to the tubing at this time.
- It may be necessary to cut the roping on your canvas and re-tie to mount your brackets
- Keep a distance between brackets of 16" or more for strength and stability

BocaShade Soft Top Installation



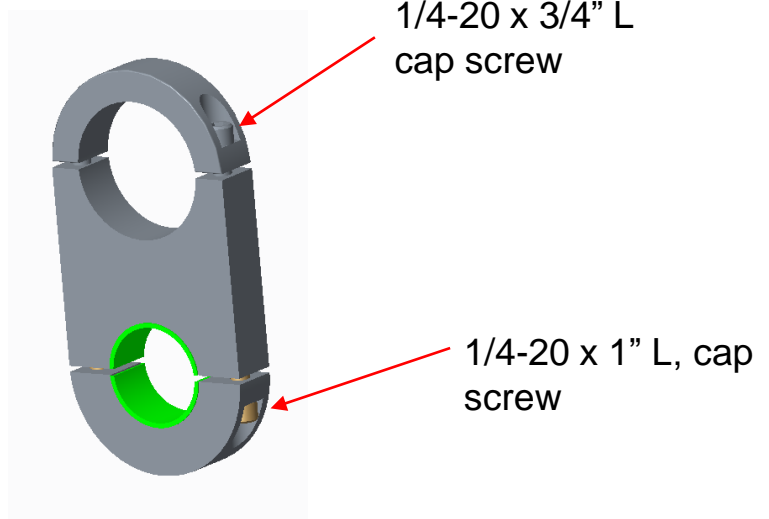
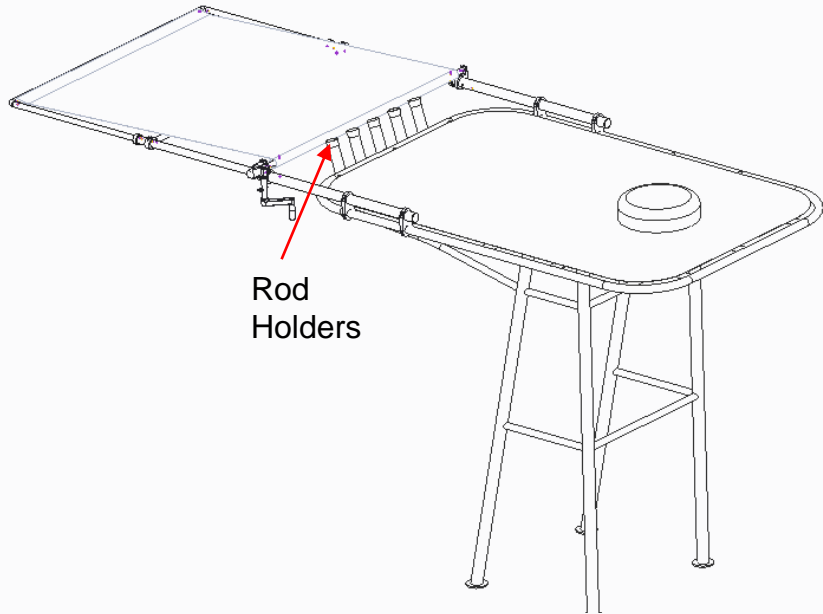
Step 4: Check T-Top Brackets For Squareness

- Use a measuring tape, measure the C-C distance between the bracket groups. The distance between bracket groups should equal to the width of the kit when the kit was ordered.
- Check to ensure the brackets are vertical. Adjust as necessary.

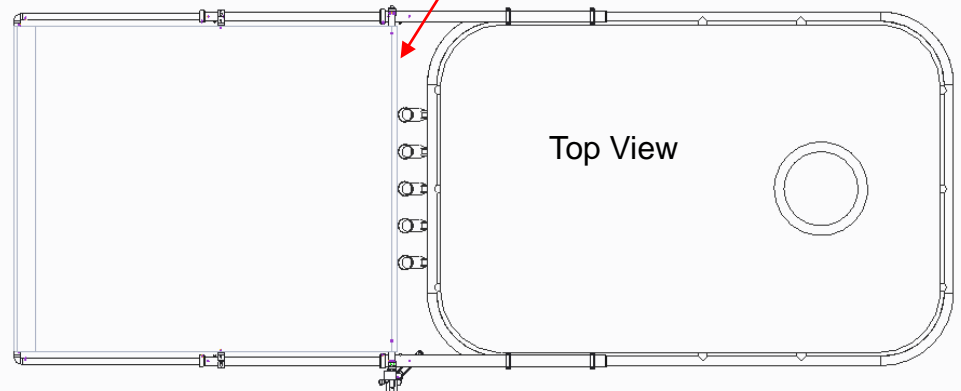
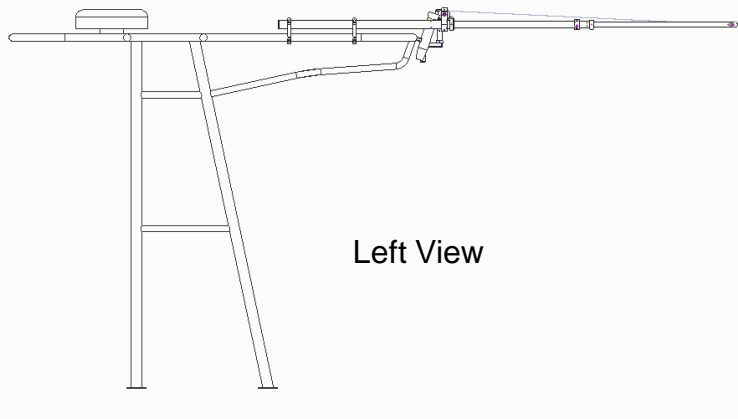
BocaShade Soft Top Installation



Step 5: Mount Your Shade as Shown and Tighten all screws



If you have rod holders, position the roller tube about 1" behind the rod holders providing enough room to activate the zipper on the boot cover



Step 6:

Review the video links below for instruction on how to operate your BocaShade

How to Extend Boca Shade

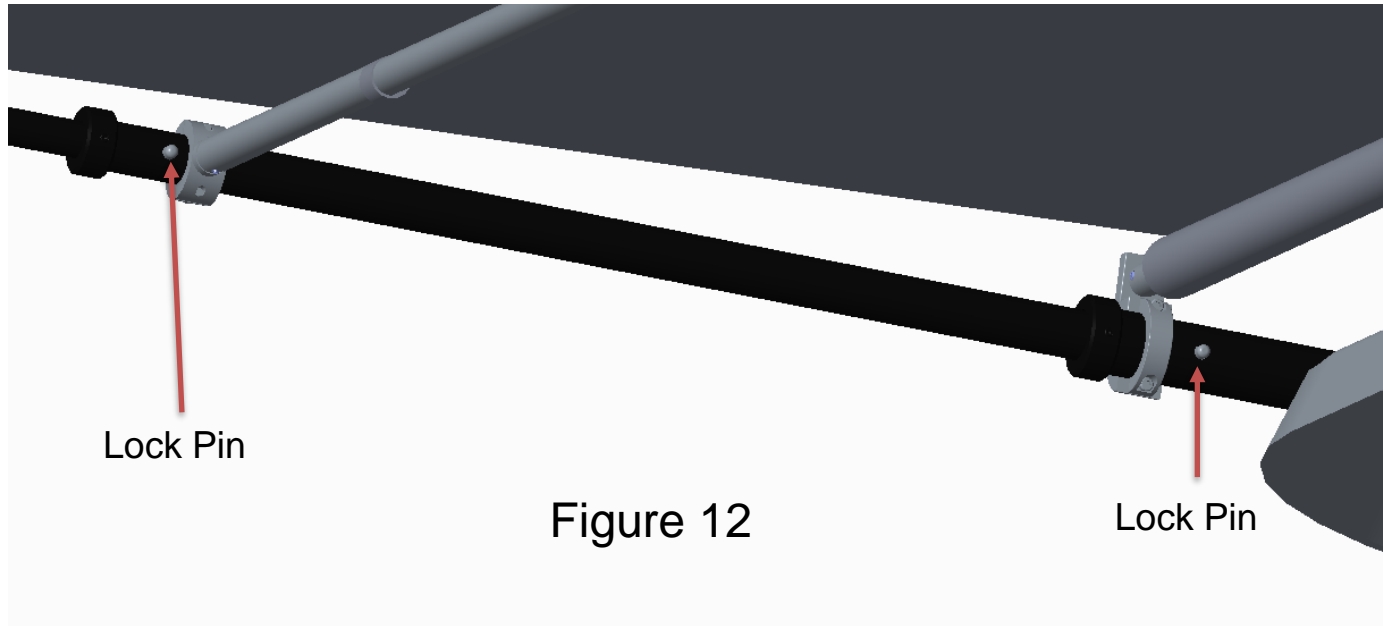
<https://youtu.be/-8zA9ZnuNf4?si=QSzeRF6t8-QuggvI>

How to Retract Boca Shade

https://youtu.be/EyHA_9tHjEw

How to Use Ring & Tab

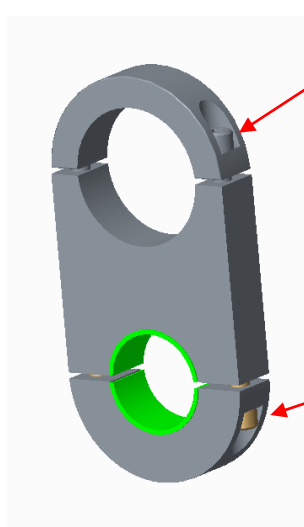
<https://youtube.com/shorts/rEhYkC5ZpE0>



Step 7: Test By Fully Extending Shade

- A. Check to make sure locking pins have fully sprung out to lock telescopic tubes in place as shown. See figure 12.
- B. Repeat step A for the other side
- C. If all four locking pins are fully out, proceed to step 8.
- D. If locking pin(s) are not fully sprung out to lock, go to step 9.

BocaShade Soft Top Installation



1/4-20 x 3/4" L
cap screw

1/4-20 x 1" L, cap
screw

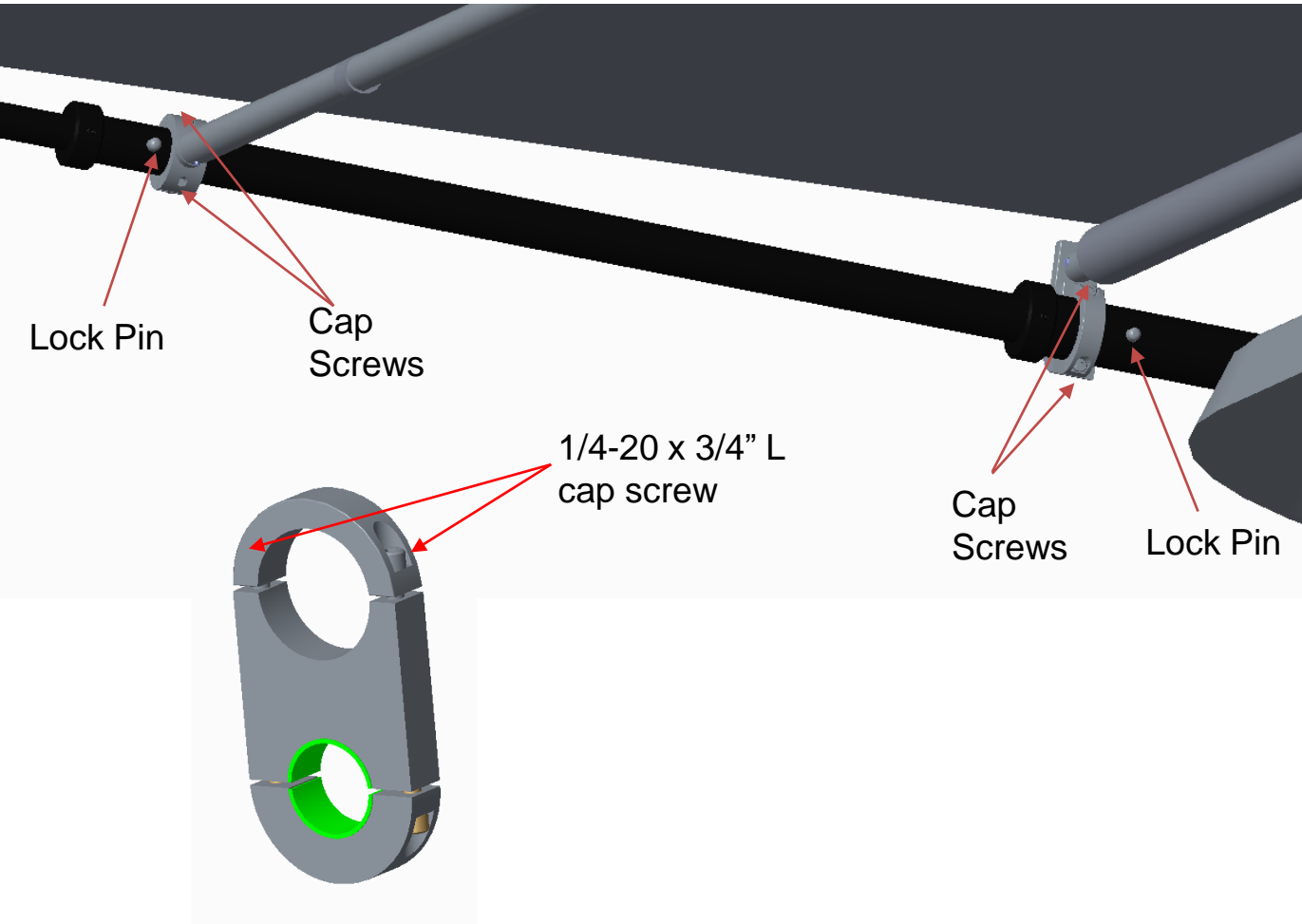


Loctite

Step 8: Apply Loctite & Fully Torque Screws

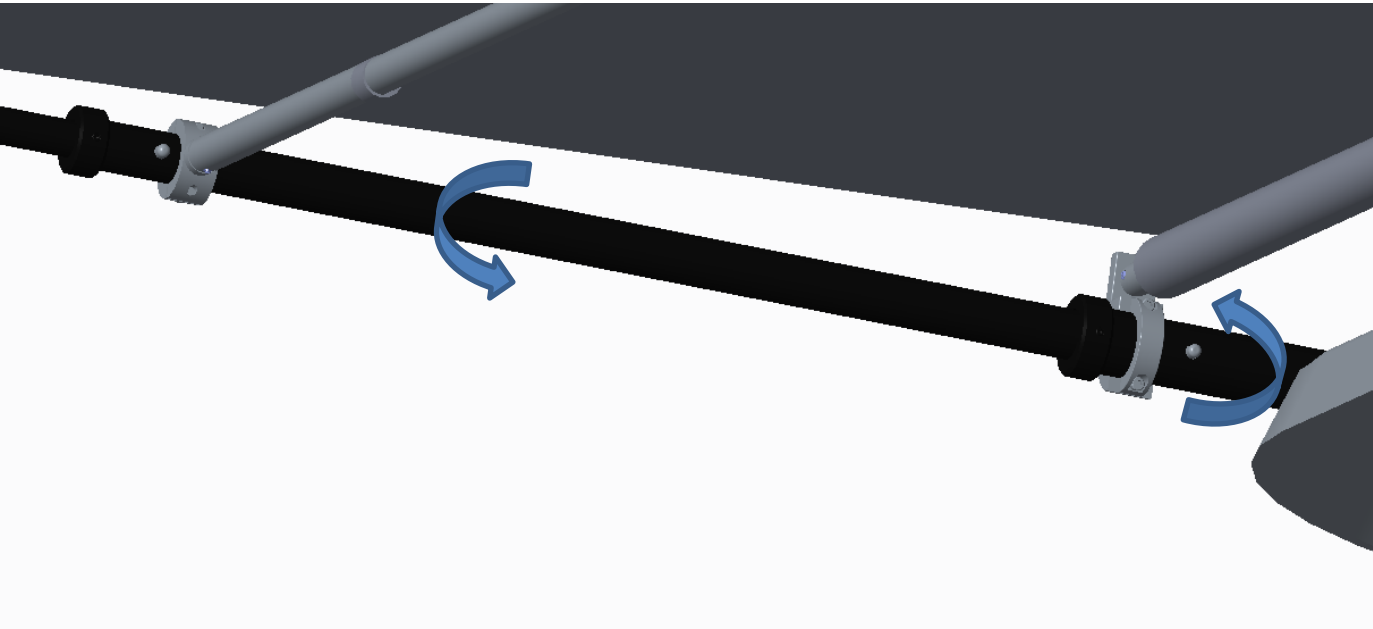
- A. Remove Each Cap Screw one at a time
- B. Apply Loctite and re-assemble
- C. Repeat steps A, B for all four bracket groups. Tighten screws fully with Allen Key

BocaShade Soft Top Installation



Step 9: Lock Pin Alignment

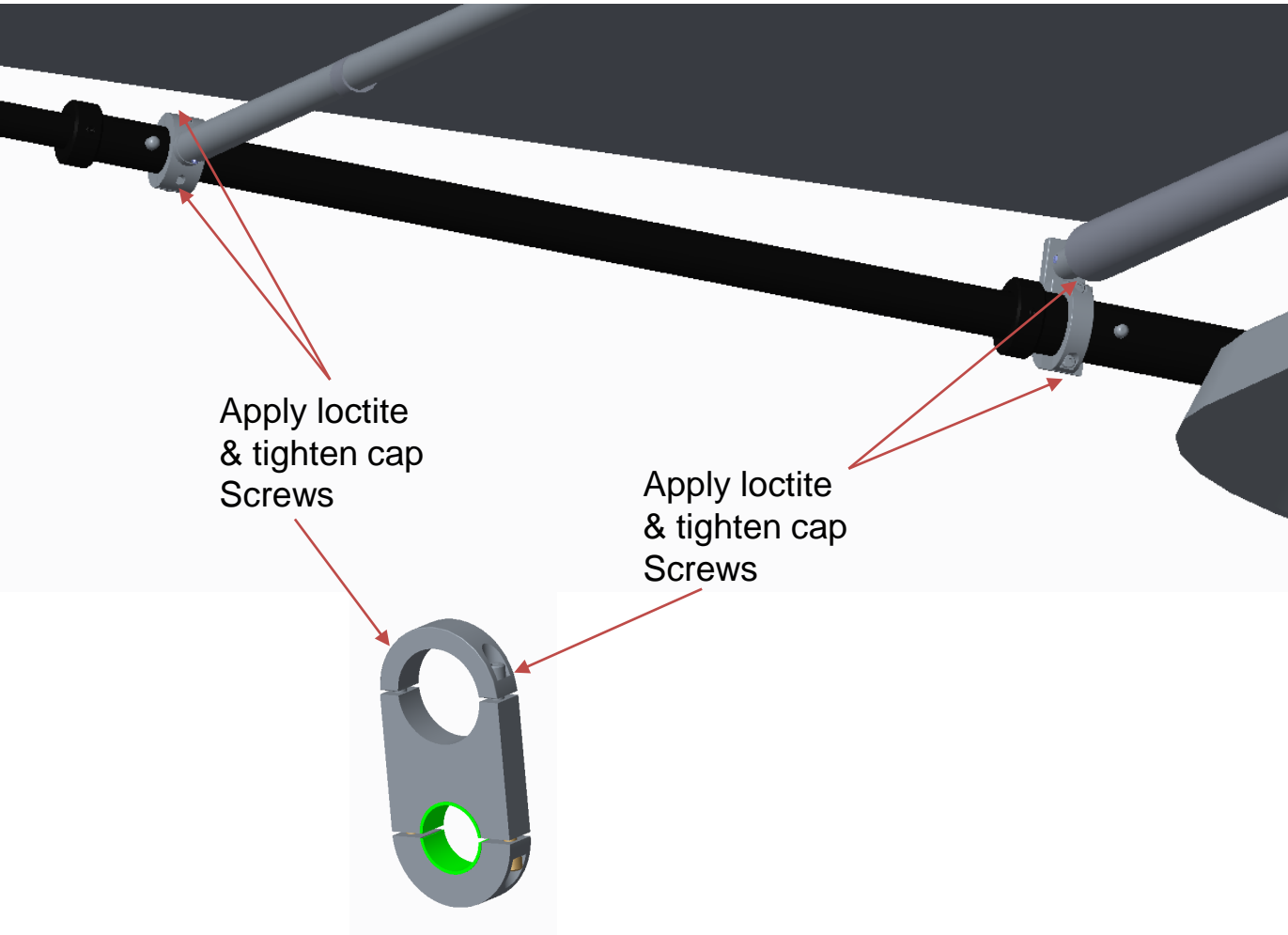
- A. If lock pin(s) did not spring out fully when shade is completely extended, loosen cap screws (Do not remove) by a few turns at the locations shown.



Step 9: Lock Pin Alignment

- A. Rotate the tubes as shown to allow the locking pin(s) to spring out and lock the tubes

BocaShade Soft Top Installation



Apply loctite
& tighten cap
Screws

Apply loctite
& tighten cap
Screws



Loctite

Step 10: Lock Pin Alignment

- A. Apply loctite and tighten cap screws
- B. Repeat steps 9 and 10 for the other side