

BocaShade

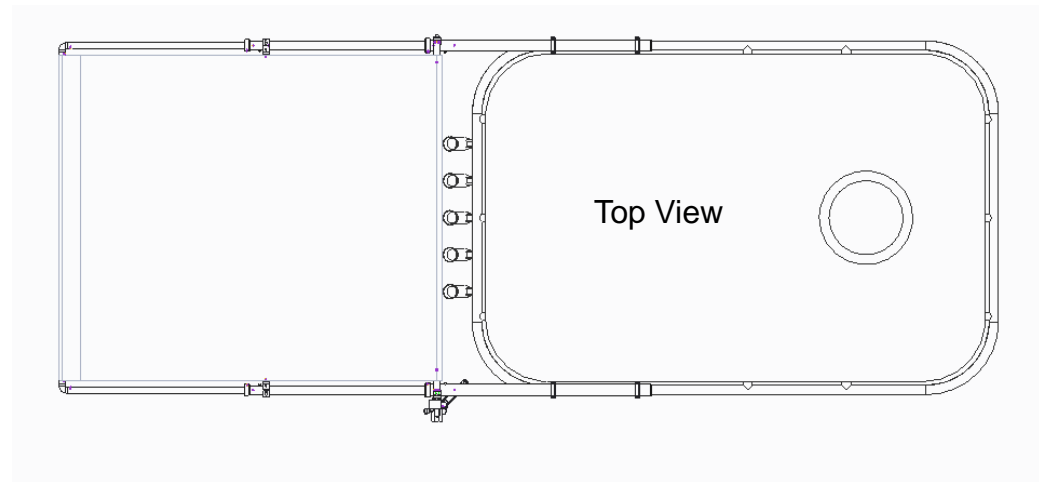
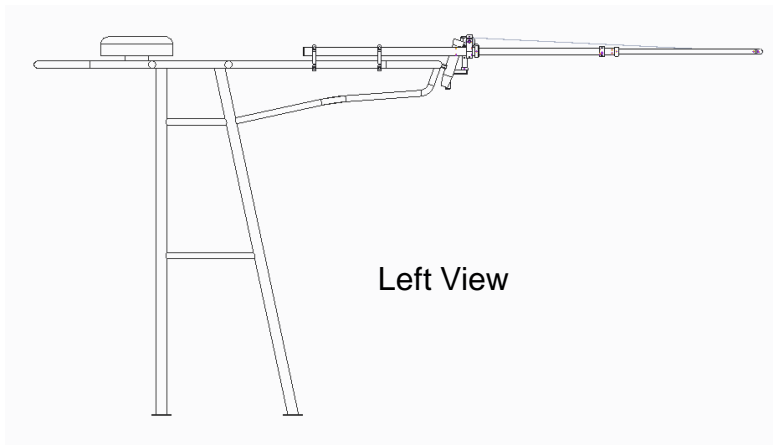
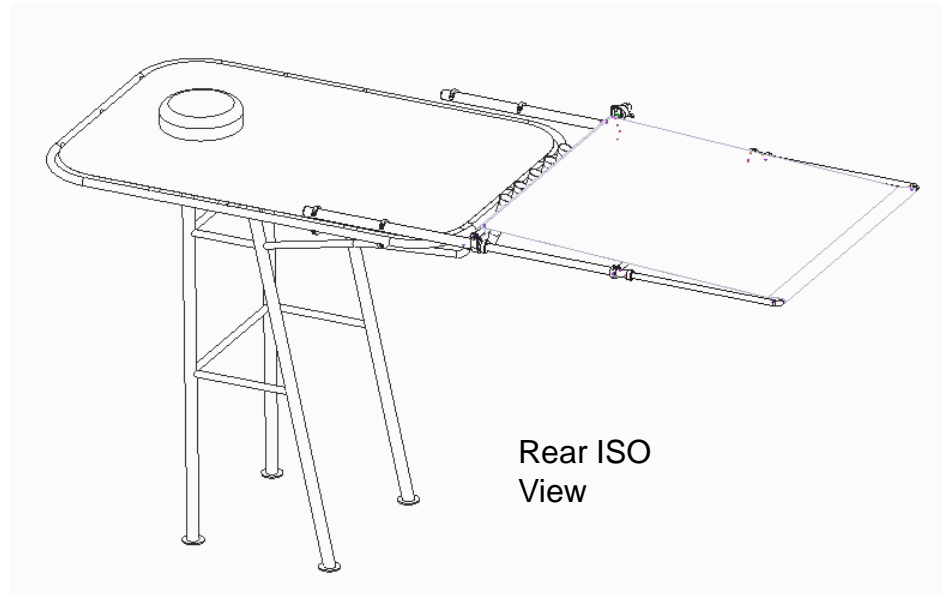
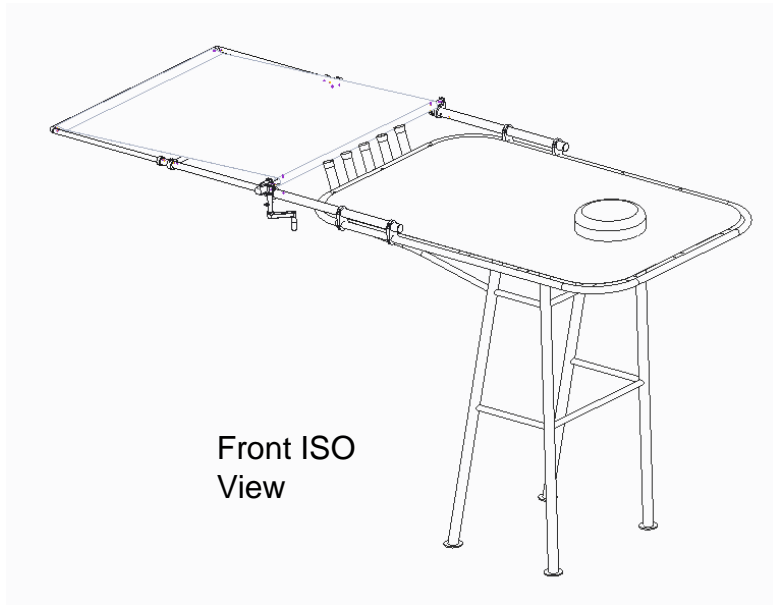
How To Install BocaShade On Boats With T-Top

Part 2 Installation For T-Top

- ✓ Recommended for boats up to 37 foot in length
- ✓ Can be stern mounted (5' or 6' length only)
- ✓ Can be bow mounted (5', 6', or 7' length)



Part 2 Installation For T-Top



Part 2 Installation For T-Top



Tools & Material List



Tape Measure



Standard Allen Wrench Set



Loctite



Box Cutter

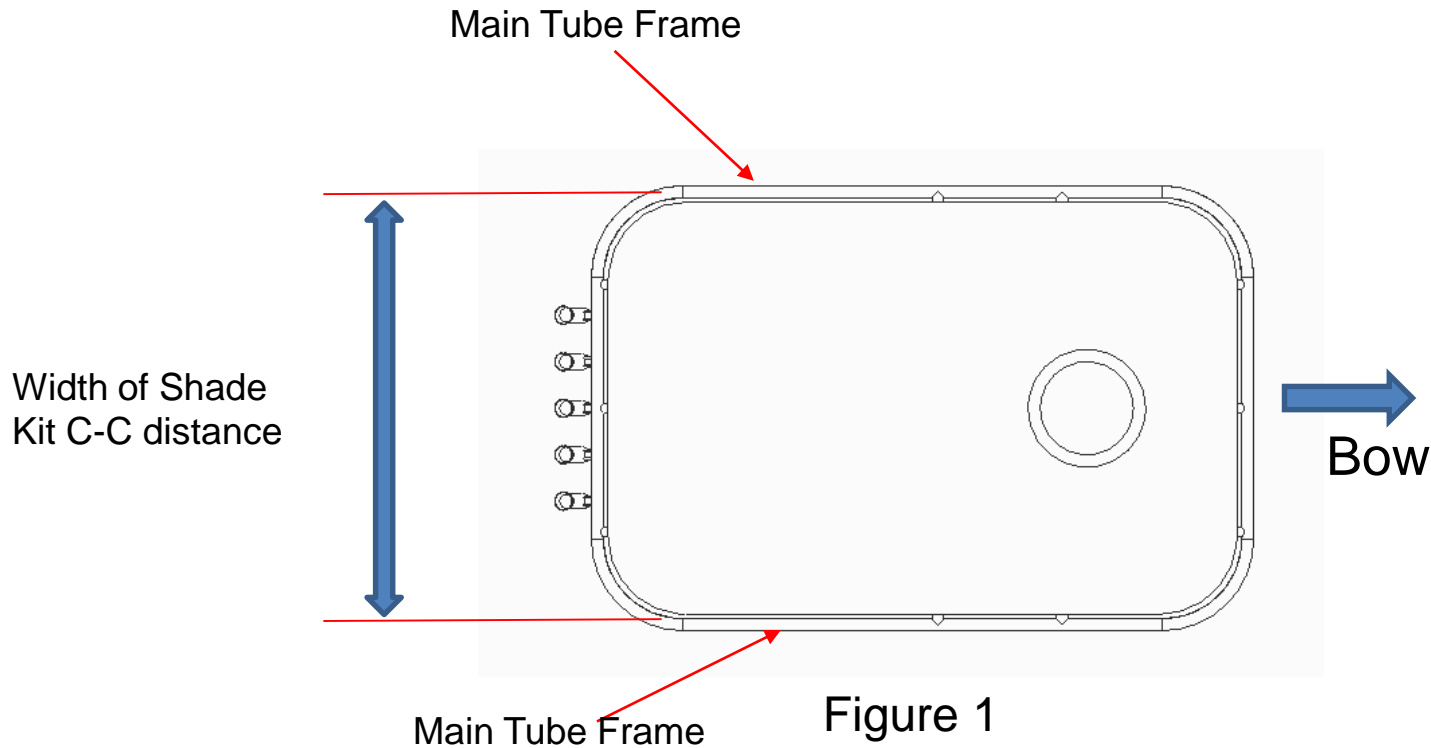


Small Leveler

STOP!!!

Read all instructions carefully before proceeding with your installation

Part 2 Installation For T-Top



Note:

- A. The width of your shade kit was custom made to the fit the width of your canopy main frame tubes. This is the center to center (C-C) distance between the main tubes. See Figure 1.

Part 2 Installation For T-Top

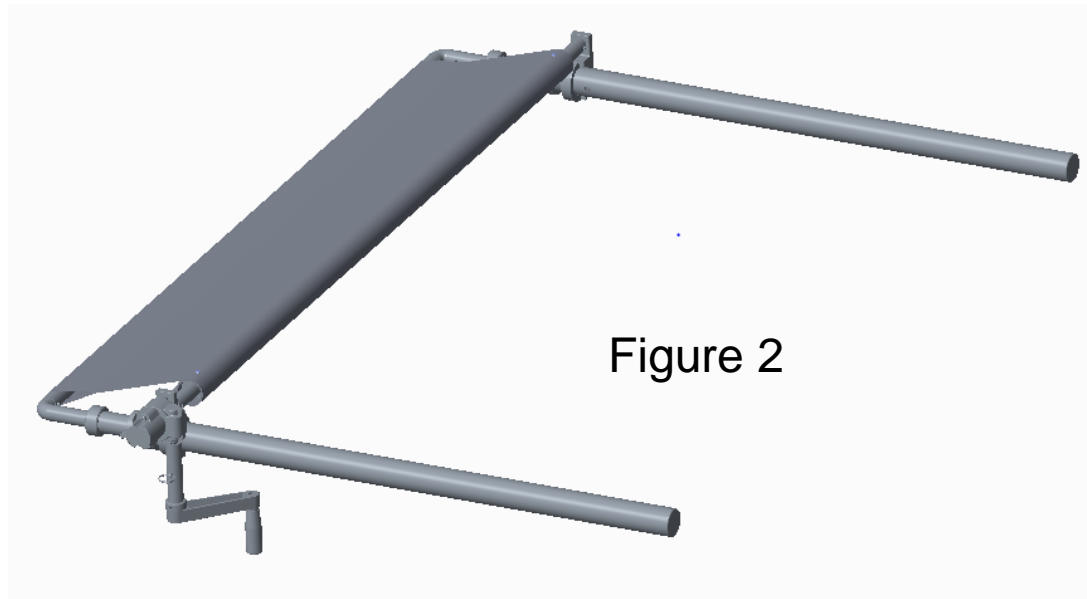


Figure 2

Step 1:
Assemble kit as shown in figure 2. See Part 1 of
installation instruction.

Visit www.bocashade.com "How To" page for assembly
video Part 1

Part 2 Installation For T-Top

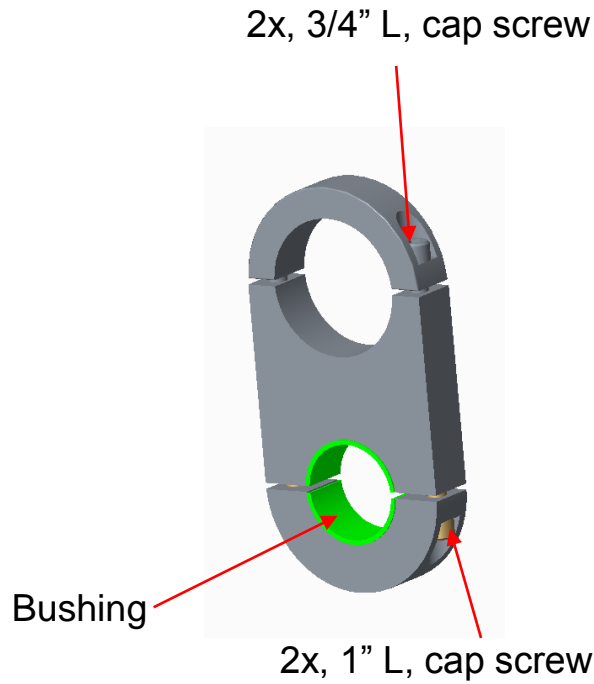
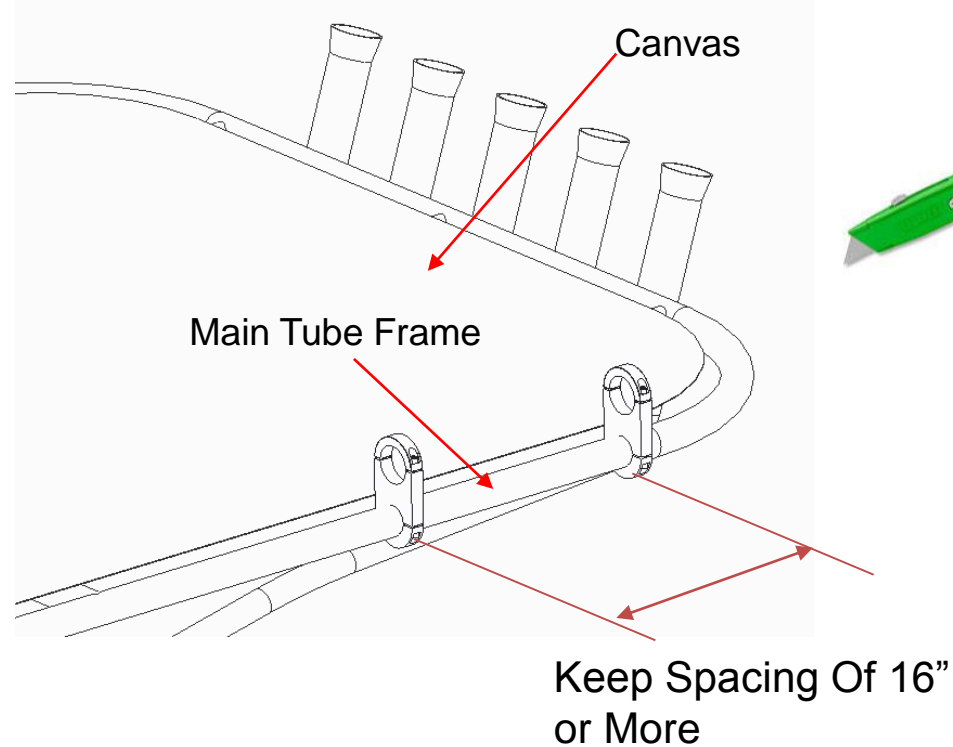


Figure 3

Step 2: Loosely Assemble Four (4x) T-Top Bracket Groups As Shown. See Figure 3

- A. If the diameter of your main tubes is smaller than 1-3/8" OD, bushings (included in your kit) will be necessary to ensure proper attachment of brackets to your T-Top
- B. Choose the bushing size that is appropriate for your frame.
- C. Four bushing sizes are available in your shade kit

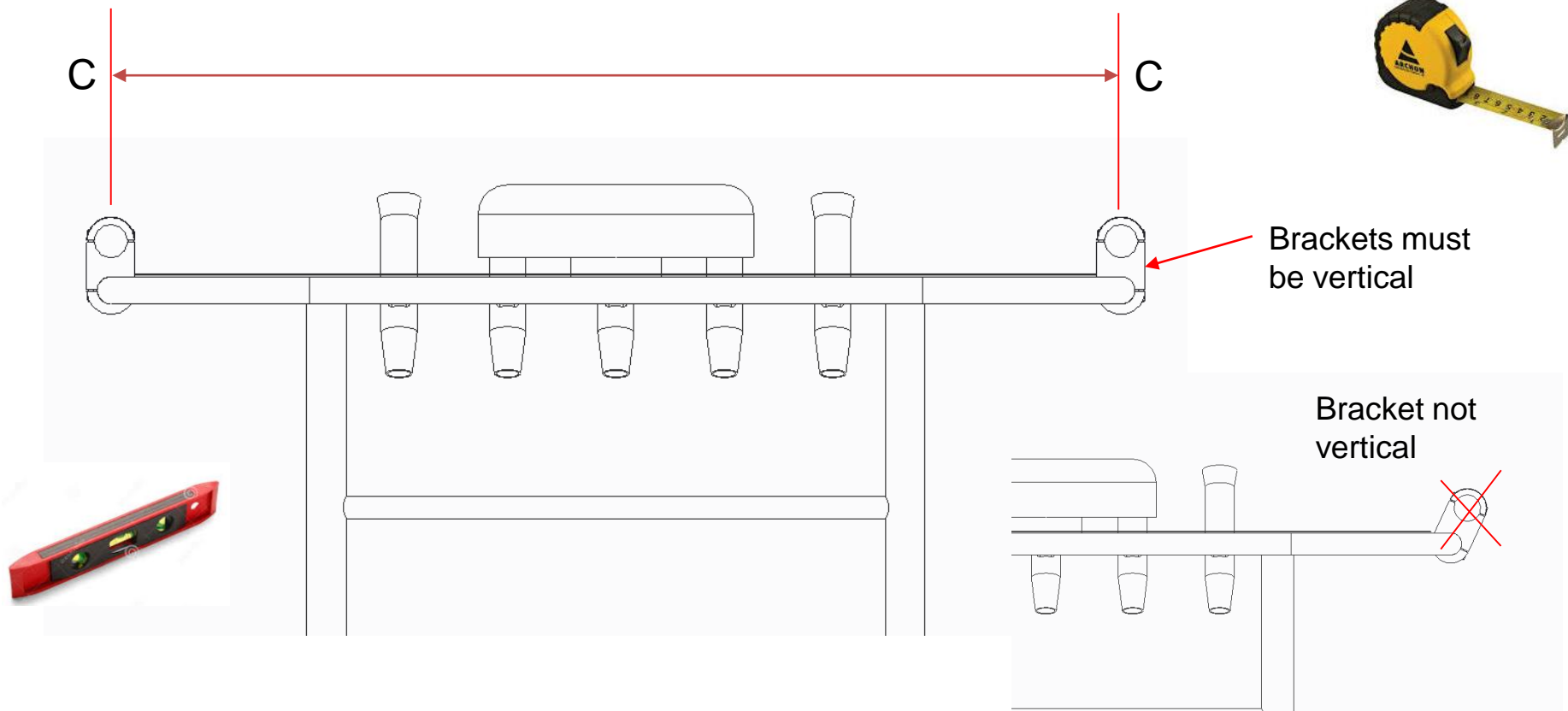
Part 2 Installation For T-Top



Step 3: Mount 4 Bracket Groups To the Main Frame Tubing

- Before mounting the 4 bracket groups onto the main tubing, determine the best location to mount your brackets depending on the accessories you have on your T-Top.
- Mount the 4 bracket groups to your main frame tubing. Snuggly tighten the cap screws.
- It may be necessary to cut and re-tie the roping that hold the canvas to the T-Top main frame in order to mount the bracket groups.
- Keep a minimum distance between brackets of 16" or more for strength and stability

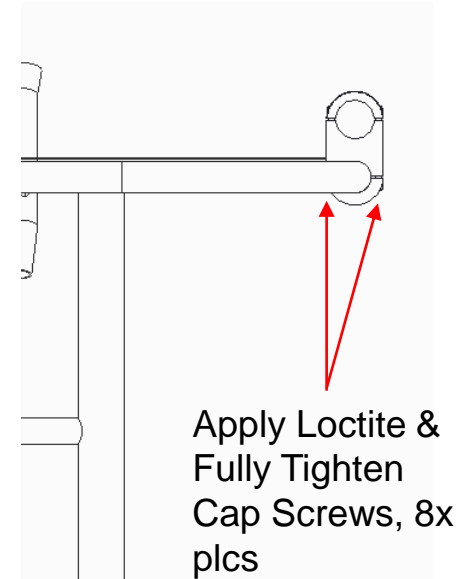
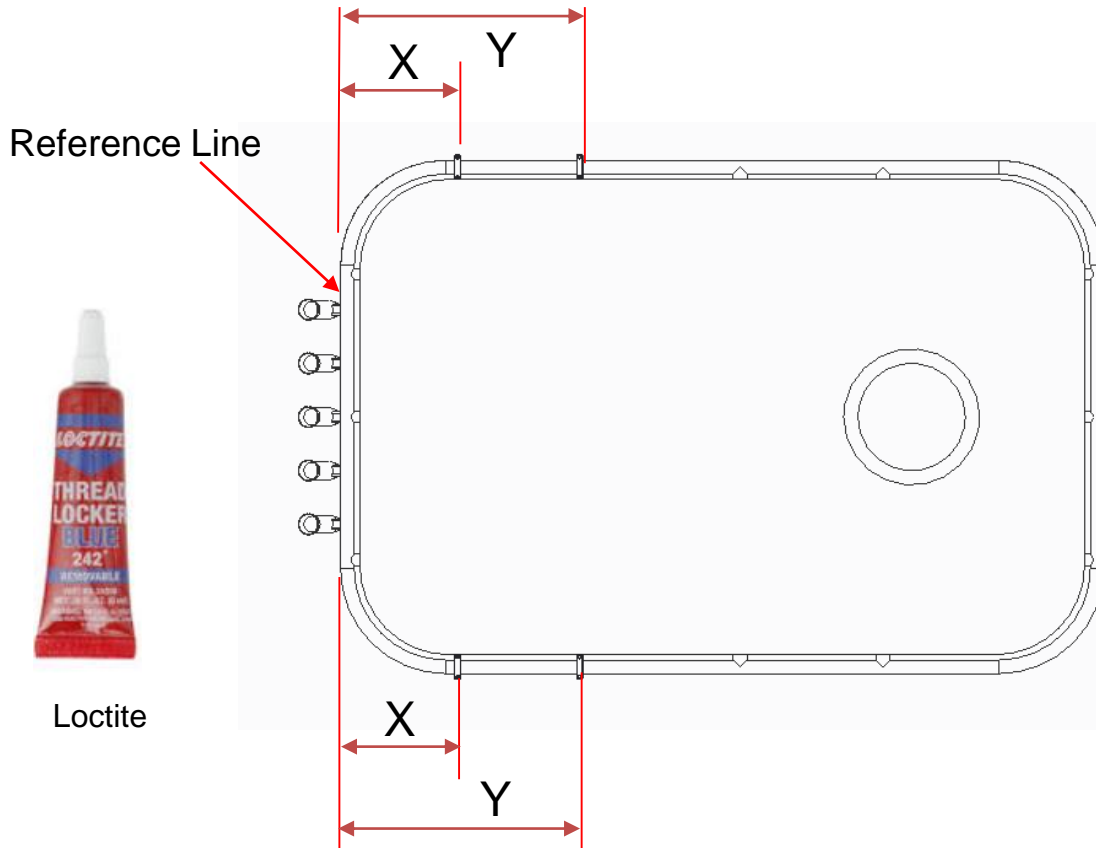
Part 2 Installation For T-Top



Step 4: Squaring Bracket Groups

- Check the brackets for verticality by using a small leveler. Adjust as necessary.
- Use a measuring tape, measure the C-C distance between the bracket groups. The distance between bracket groups should equal to the width (C-C) of the kit when the it was ordered.

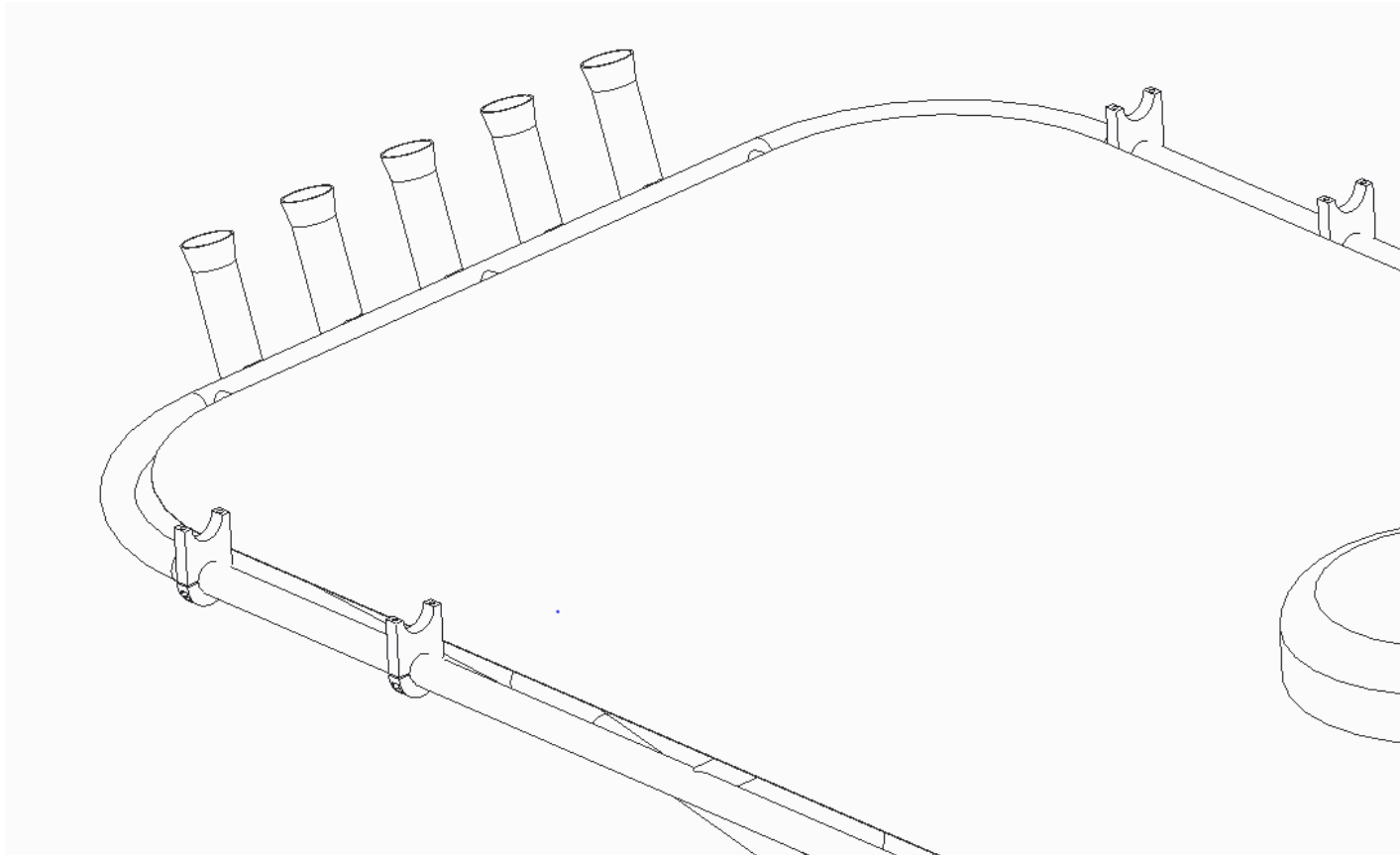
Part 2 Installation For T-Top



Step 5: Check T-Top Brackets For Alignment

- Use a measuring tape, measure the dimensions X and Y from a reference line.
- Adjust the brackets as necessary to ensure dimensions X and Y are equal for the Left & Right hand sides.
- Once bracket groups are aligned, apply Loctite and fully tighten cap screws

Part 2 Installation For T-Top



Step 6:

A. Remove cap screws and the four top "C" brackets as shown

Part 2 Installation For T-Top

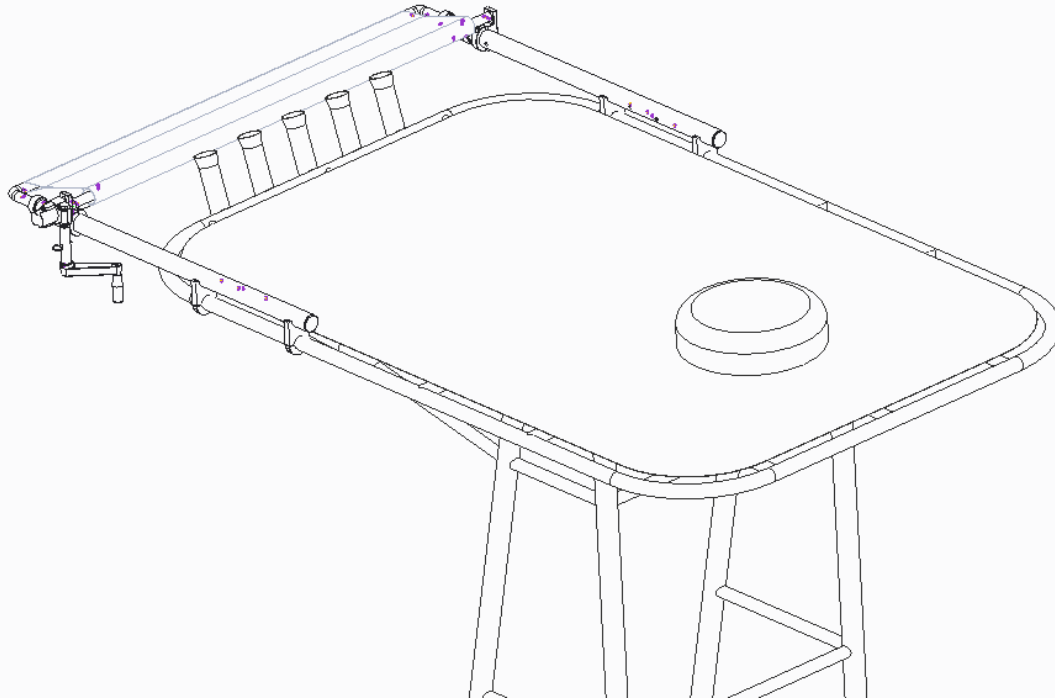


Figure 4

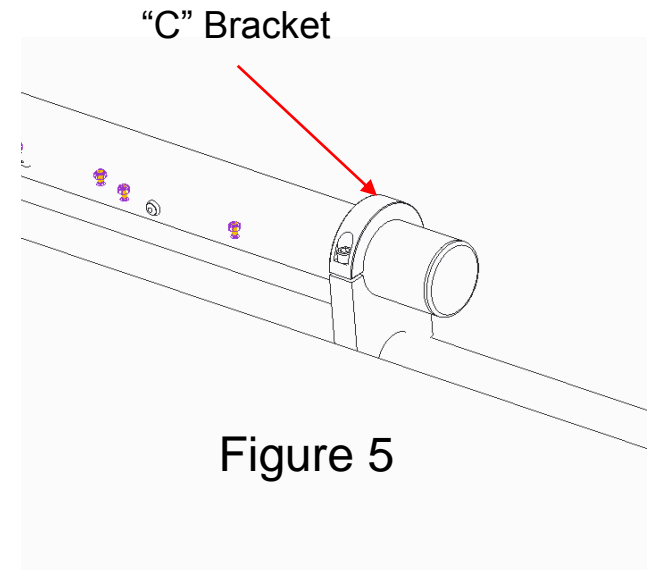


Figure 5

Step 7: Assemble Shade Assembly To The T-Top

- A. Place your shade assembly from Step 1 onto the bracket groups. See Figure 4.
- B. Two persons is recommended to hold and align the shade assembly to the T-Top
- C. Assemble two "C" brackets with cap screws as shown for both the Left & Right hand side. See Figure 5. Do not fully tighten at this time.

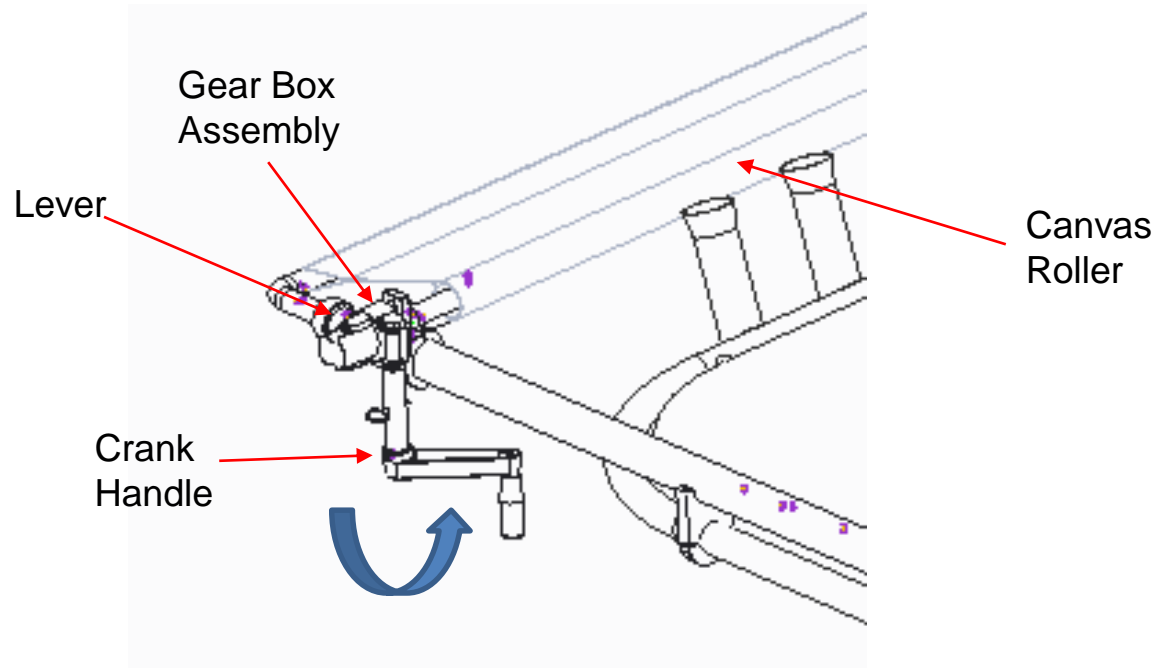


Figure 6

Step 8: Check For Crank Handle Clearance

- Turn the lever on the gear box assembly to the “UP” position to free spool the canvas roller from the gear box assembly.
- Rotate the crank handle. Make sure the crank handle rotates freely without obstruction.
- Re-position the shade assembly if needed to ensure crank handle can rotate without obstruction. See Figure 6

Part 2 Installation For T-Top

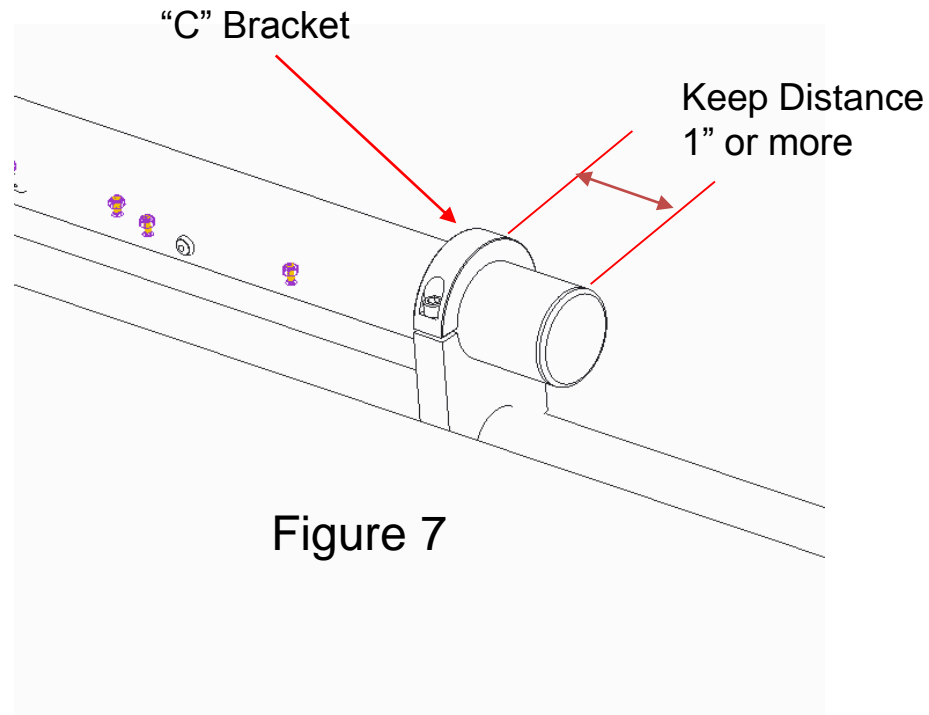
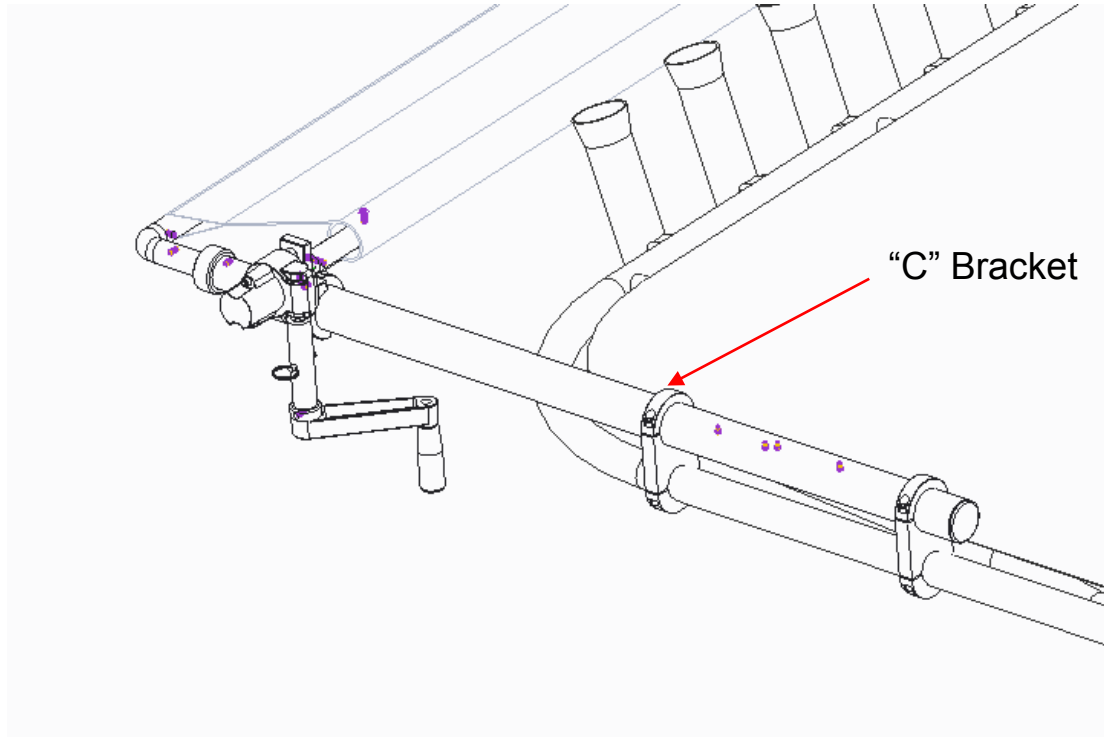


Figure 7

Step 9:

- A. Measure the end of the fixed tube to the bracket for both the Left & Right hand sides. They should be equal. See Figure 7
- B. Keep a minimum distance of at least 1".

Part 2 Installation For T-Top



Step 10: Assemble "C" Brackets

- A. Assemble the remaining two "C" brackets with cap screws. Snuggly tighten the cap screws at this time.

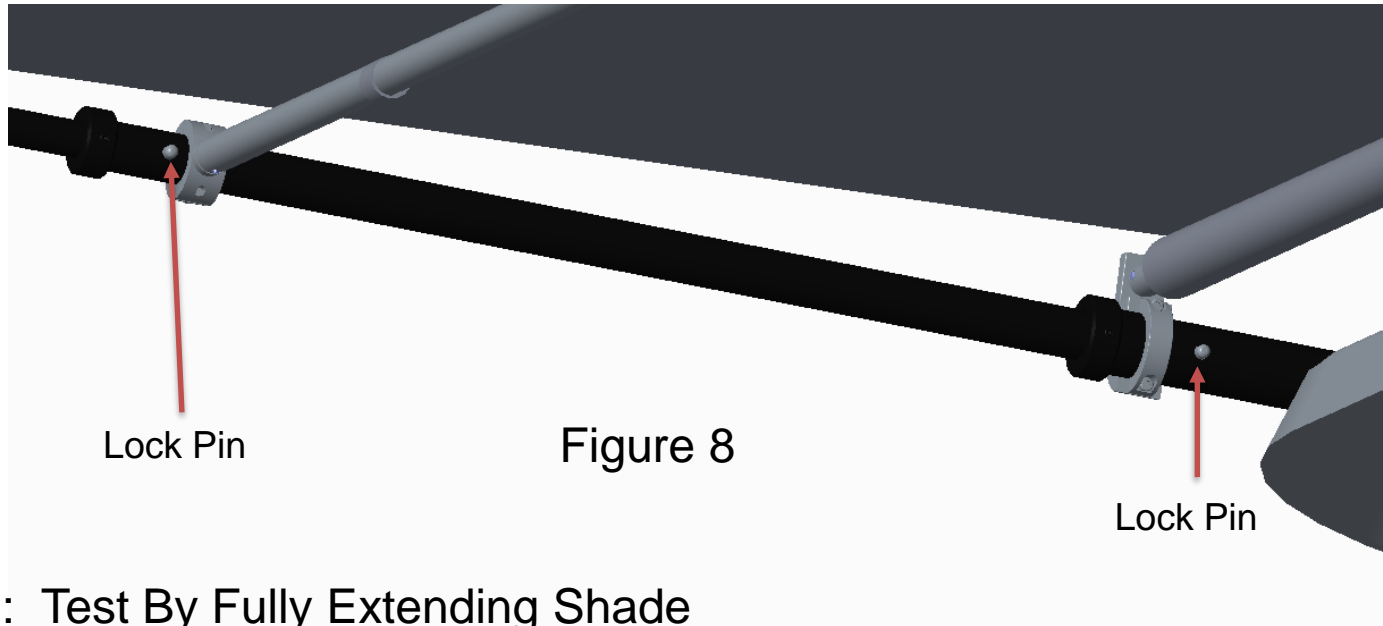
Part 2 Installation For T-Top



Step 11: Test By Fully Extending Shade

A. Visit www.bocashade.com "How To" page to view video

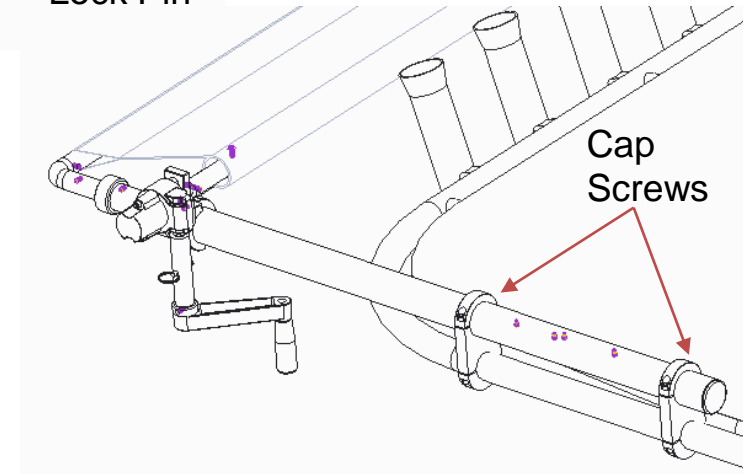
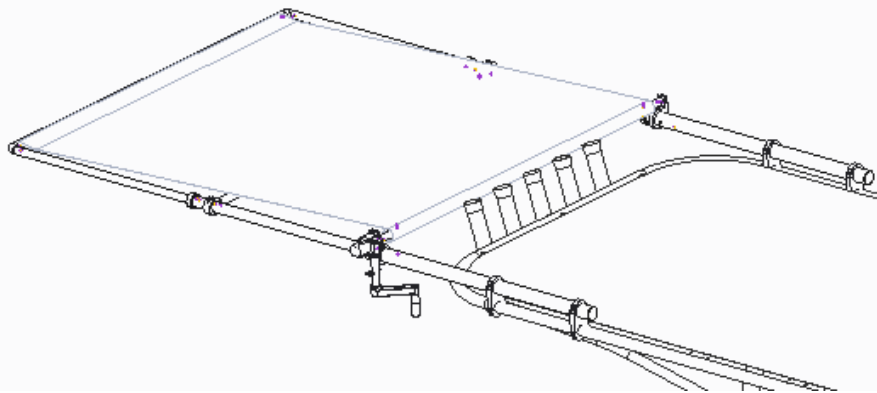
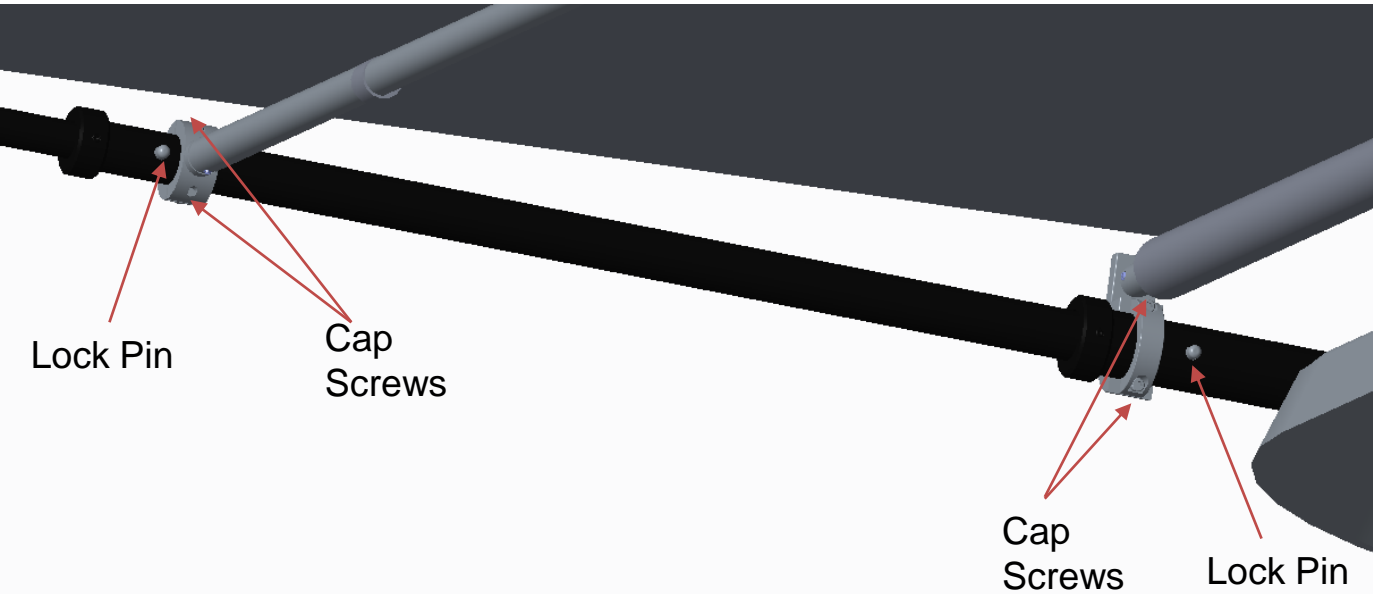
Part 2 Installation For T-Top



Step 12: Test By Fully Extending Shade

- A. Check to make sure locking pins have fully sprung out to lock telescopic tubes in place as shown. See figure 8.
- B. Repeat step A for the other side
- C. If all locking pins on both sides have sprung out into their locking positions, test by retracting the shade. Visit www.bocashade.com "How To" page to view video
- D. If the locking pins have not fully sprung out to their locking positions, go to step 13 to adjust.

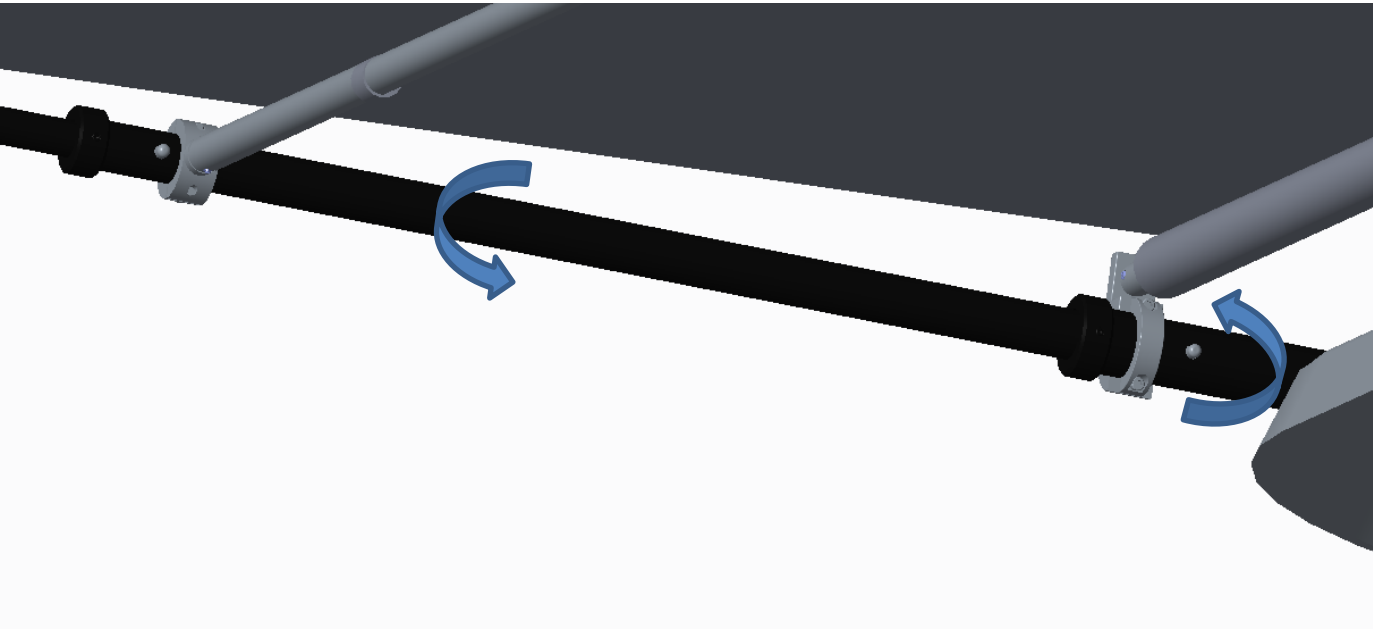
Part 2 Installation For T-Top



Step 13: Lock Pin Alignment

- A. Loosen cap screws (Do not remove) by a few turns at the locations shown to allow tubes to rotate

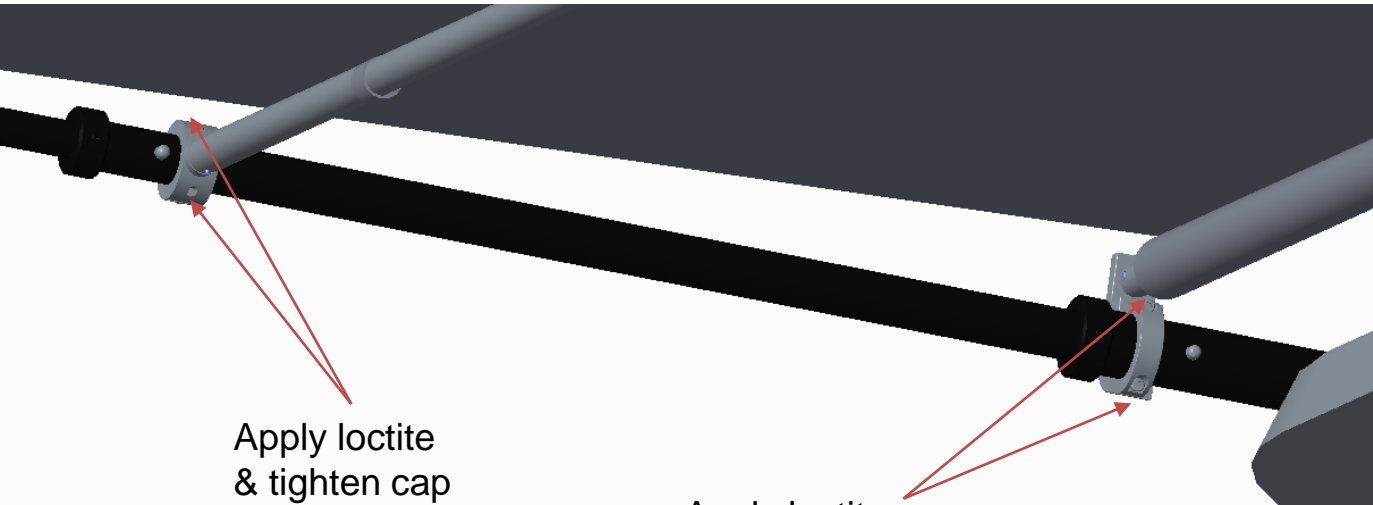
Part 2 Installation For T-Top



Step 14: Lock Pin Alignment

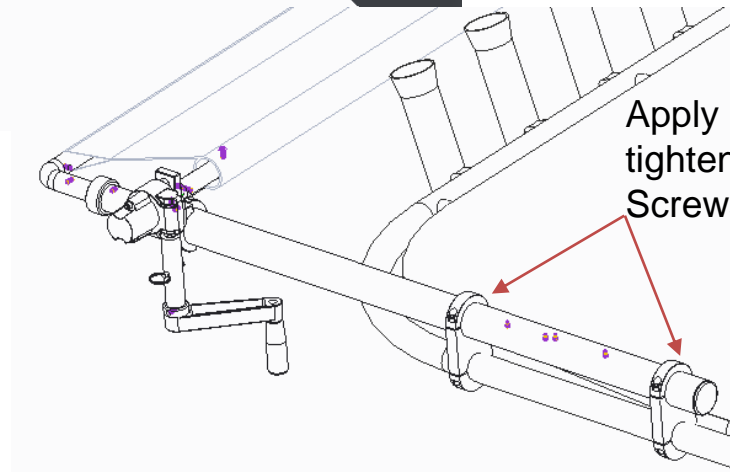
- A. Rotate the tubes as shown to allow the locking pin(s) to spring out and lock the tubes
- B. Repeat for the other side as needed

Part 2 Installation For T-Top



Apply loctite
& tighten cap
Screws

Apply loctite
& tighten cap
Screws



Apply Loctite &
tighten Cap
Screws. Both sides

Step 15: Lock Pin Alignment

- A. Test the shade by retracting and extending to ensure full functionality. Visit www.BocaShade.com and “How To” page to view videos.
- B. Apply Loctite and fully tighten all cap screws